



## Introduction

The Atлона **OmniStream™ 311 (AT-OMNI-311)** works in tandem with the OmniStream 324 (AT-OMNI-324) for extending USB from peripheral devices to a PC over Gigabit Ethernet. The OmniStream 311 interfaces with a PC or other host device, while the OmniStream 324 features a four-port USB hub for peripherals. The OmniStream USB over IP system is compatible with USB 2.0 data rates of up to 480 Mbps. It can be used with high-bandwidth devices including cameras, speakerphones, microphones, and DSPs, plus standard USB HID-class devices such as a keyboard, mouse, or touch display. Up to seven OmniStream 324 units can be simultaneously paired to an OmniStream 311. Additionally, USB routing over the network can be managed using Atлона Management System (AMS) 2.0.

OmniStream USB products can be used in a wide variety of system design scenarios for soft codec conferencing and remote keyboard / mouse control. They are ideal for integrating USB audio and video devices as part of a fully IP-based meeting room system, in conjunction with OmniStream AV over IP devices and the Velocity Control System.

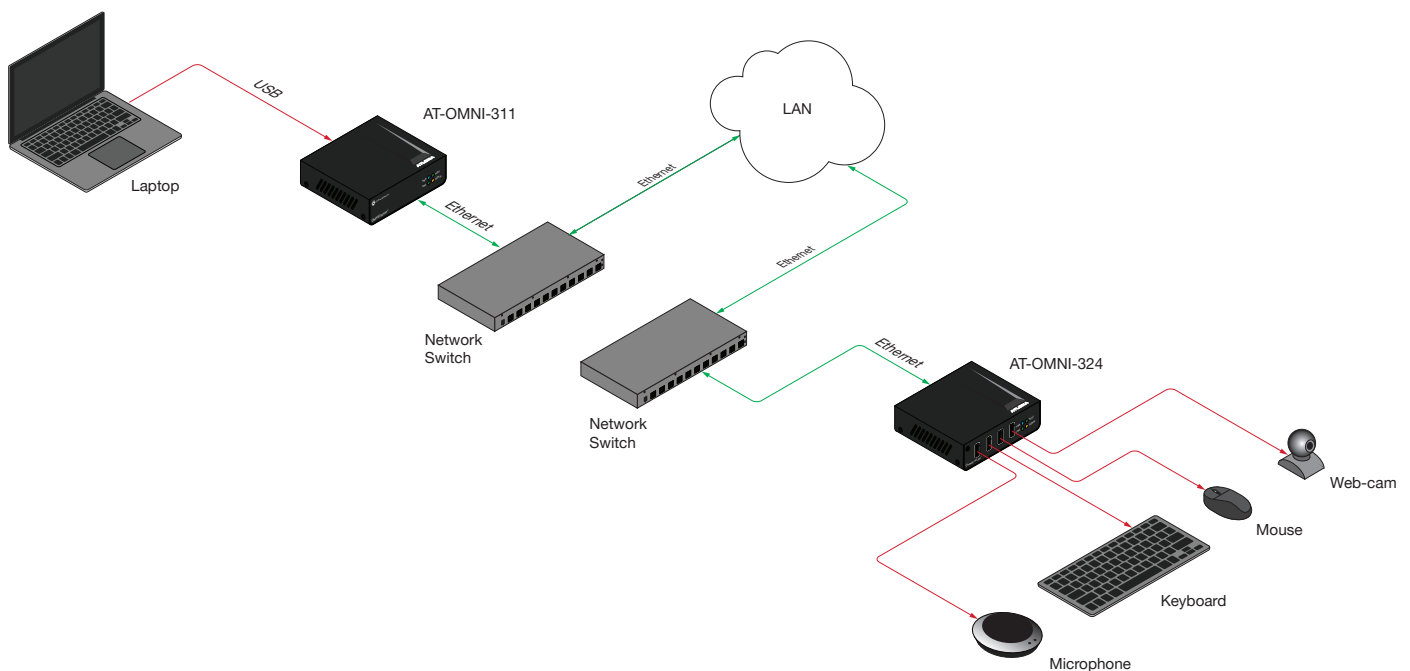
## Applications

- **Huddle rooms**  
OmniStream USB products provide a streamlined videoconferencing solution that interfaces a PC with a PTZ camera (such as the AT-HDVS-CAM), as well as USB audio peripherals.
- **Meeting rooms**  
OmniStream USB products are ideal for interfacing a wall-mounted touch display with a laptop at the meeting table.

## Key Features

- Extend USB over Gigabit Ethernet using CAT5e/6 cable.
- USB host connection for PC.
- Compatible with USB 2.0 data rates up to 480 Mbps.
- Ideal for meeting room applications to extend USB from touch displays, cameras, speakerphones, DSPs, and more.
- Design flexible and scalable AV systems in combination with OmniStream AV encoders and decoders.
- Pairs simultaneously with up to seven OmniStream 324 units over a network.
- USB signal routing configured and managed by AMS (Atlona Management System) 2.0.
- Ready for integration with Atlona Velocity™ Control System to manage USB signal routing.
- Front panel LED indicators for power, network and USB host connectivity, and USB signal presence over IP.
- Low-profile, 1 inch (25 mm) high enclosure.
- Powered directly by the USB host device.
- Includes installation guide and surface mounting brackets.

## Connection Diagram



## Specifications

Connectors, Controls, and Indicators		
USB	1 - Type B, 4-pin female	
LAN	1 - RJ45, sheilded	
UTILITY	1 - 3.5 mm mini-stereo	
PAIRING	1 - Push button, tact-type, recessed	
PWR indicator	1 - LED, green	
LINK indicator	1 - LED, green	
HOST indicator	1 - LED, green	
SIGNAL indicator	1 - LED, green	

Distance	Feet	Meters
Per hop of Ethernet cable	330	100

USB	
Signal	2.0
Maximum Data Rate	480 Mbps

Temperature	Fahrenheit	Celsius
Operating	32 to 122	0 to 50
Storage	-20 to 70	-4 to 158

Humidity	
Operating (RH)	20% to 80% (non-condensing)
Storage (RH)	10% to 90% (non-condensing)

Dimensions	Inches	Millimeters
H x W x D	1.04 x 3.92 x 3.01	26.40 x 99.50 x 76.45

Weight	Pounds	Kilograms
Device	0.50	0.23

Certifications	
Device	CE, FCC, RoHS