



LCN-8003D-L

IP Network Wired Gooseneck Delegate Unit

- Video Tracking
- 4.3" Touchscreen
- High-Fidelity Microphone
- Supercardioid Pickup

4.3-Inch
Touch Screen

ANC

MAIN FEATURES

▲ Professional Network Conference Connectivity

- Dual Network Ports: White and black RJ45 ports support flexible daisy-chain or ring network connection with the conference host.
- 24V Centralized Power Supply: Powered directly from the host for simplified installation and stable operation.

▲ Intelligent Microphone Operation

- Voice-Activated Mic: Supports automatic activation by detecting voice input, enhancing hands-free operation.
- Supercardioid Pickup Pattern: Effectively reduces environmental noise and feedback, focusing on the speaker's voice.
- Built-in Volume Adjustment: Convenient hardware buttons for local output volume.

▲ Stable and Durable Design

- Centralized Power Supply: Ensures consistent operation and simplifies maintenance.
- ABS + Aluminum Alloy Housing: Combines lightweight structure with excellent durability.
- Compact Form Factor: Suitable for modern conference desks with minimal footprint.

SPECIFICATION

POWER PARAMETERS

Power Supply:	Powered By Conference Central Control Unit, DC24V
Power Consumption:	≤3.5W

MICROPHONE AUDIO PARAMETERS

Frequency Response:	20Hz~20kHz
Sensitivity:	-41dB±2dB (0dB=1V/Pa @1kHz)
Max SPL:	120dB SPL @1kHz, 1% THD

INTERFACE

RJ45 Port *2
3.5mm Audio Output Jack *1

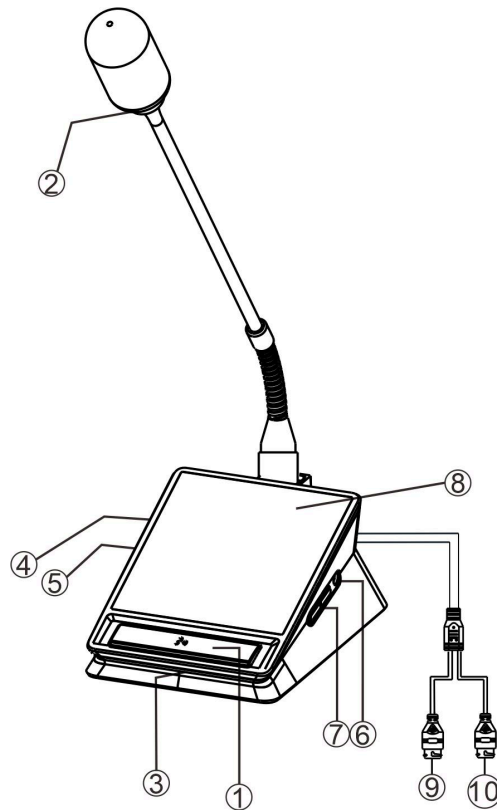
MECHANICAL & ENVIRONMENTAL PROPERTIES

Mounting Method:	Desktop
Installation Environment:	Dry Indoor Locations
Display:	4.3 Inch Capacitive Touch Screen
Product Color:	Black
Microphone Head:	14mm Diameter Gold-Plated Capacitive Microphone
Directional:	Supercardioid
Shell Material:	ABS/Aluminum Alloy
Working Temperature:	0°C~+45°C
Working Humidity:	≤90%RH, No Condensation
Product Dimensions:	144(D)×100(H) (mm)
Warranty:	2 Years

ACCESSORIES

1×Network Cable(1m)
1×Quick Installation Guide
1×Quality Certificate
1×Warranty Card

INTERFACE DESCRIPTION (Delegate Unit)



① Speak Button: LED on when idle; press to speak (LED off).

② Microphone Rod Indicator: Lights up during speech.

③ Speech Status Indicator: Lights up during speech.

④ Reserved Indicator: Undefined

⑤ Type-C interface: Used for updating firmware.

⑥ 3.5 mm Audio Jack

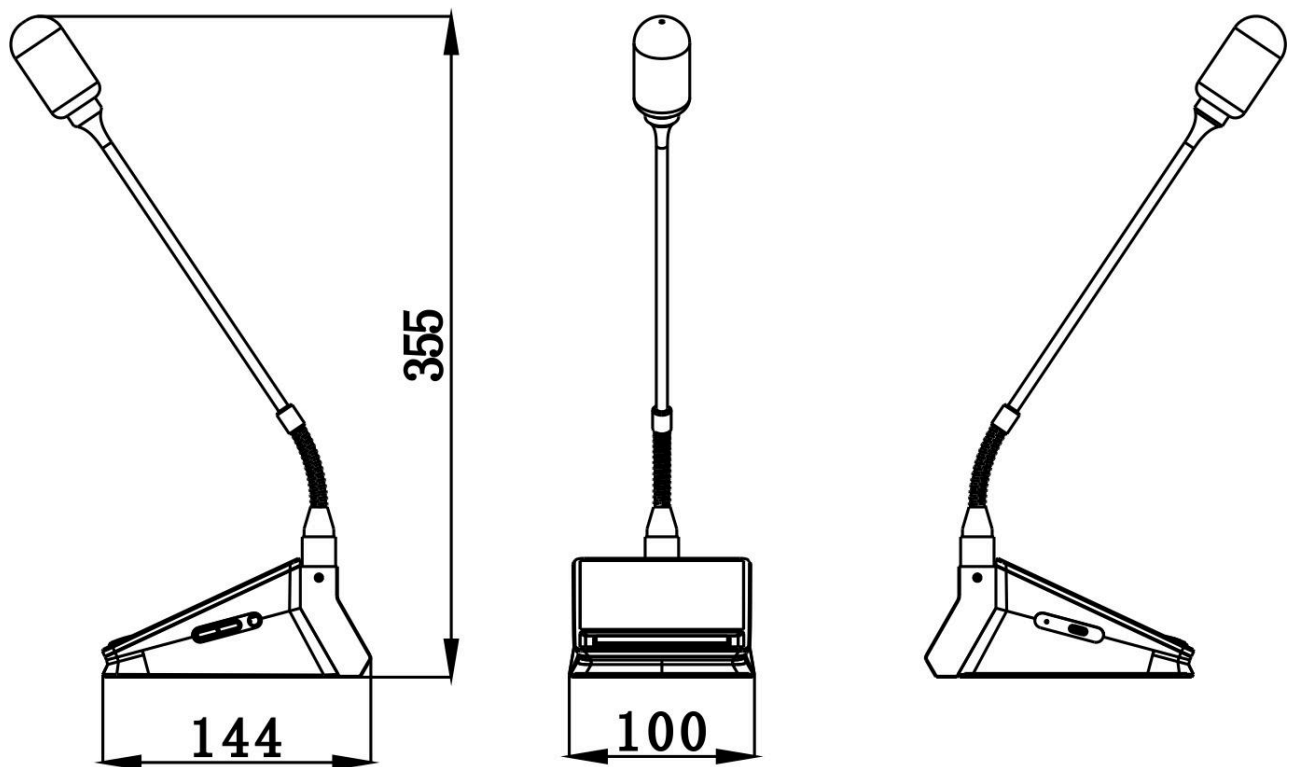
⑦ Volume Buttons: + / - for 3.5mm audio output.

⑧ Touch Screen

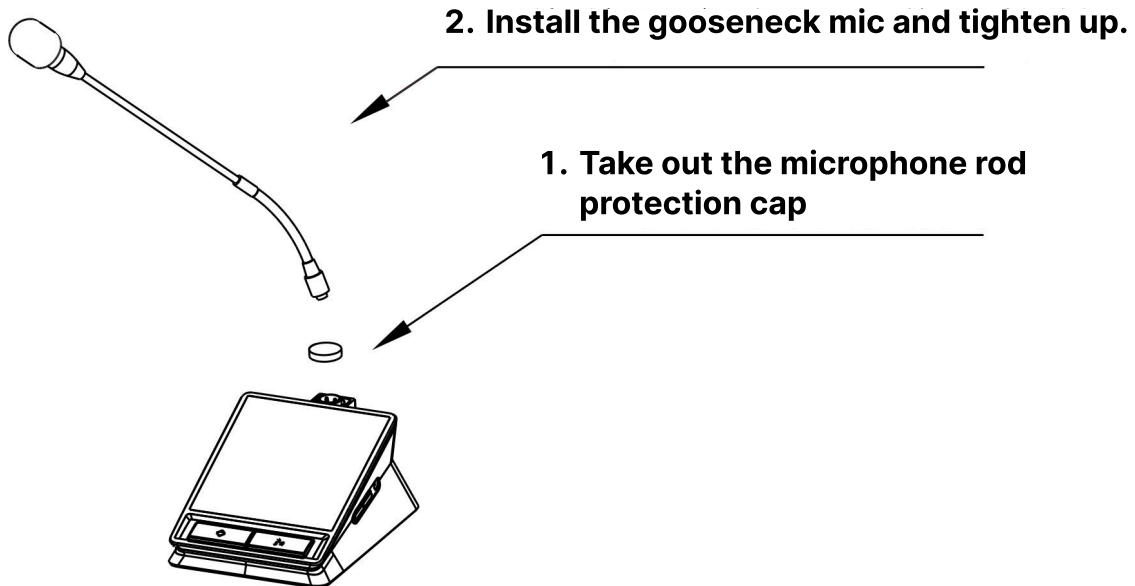
⑨ White Network Port: Connect to host (A1-B4) or next wired microphone.

⑩ Black Network Port: Connect to host (A1-B4) or next wired microphone.

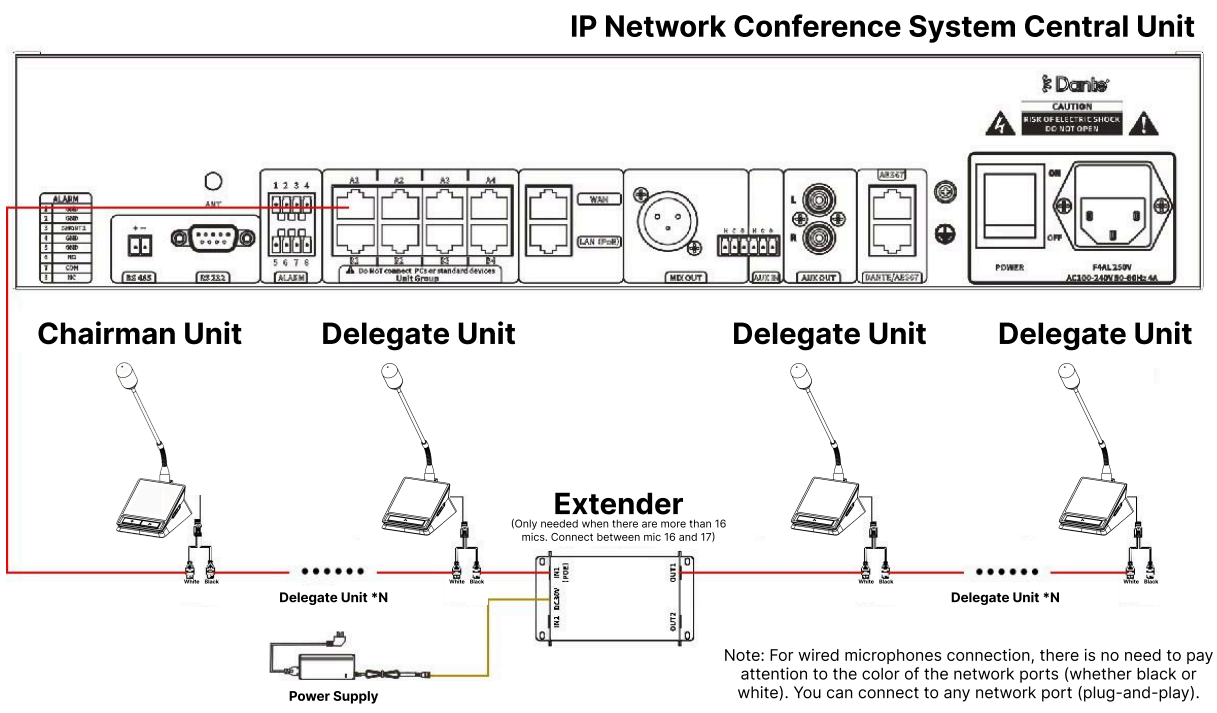
DIMENSIONAL DRAWING



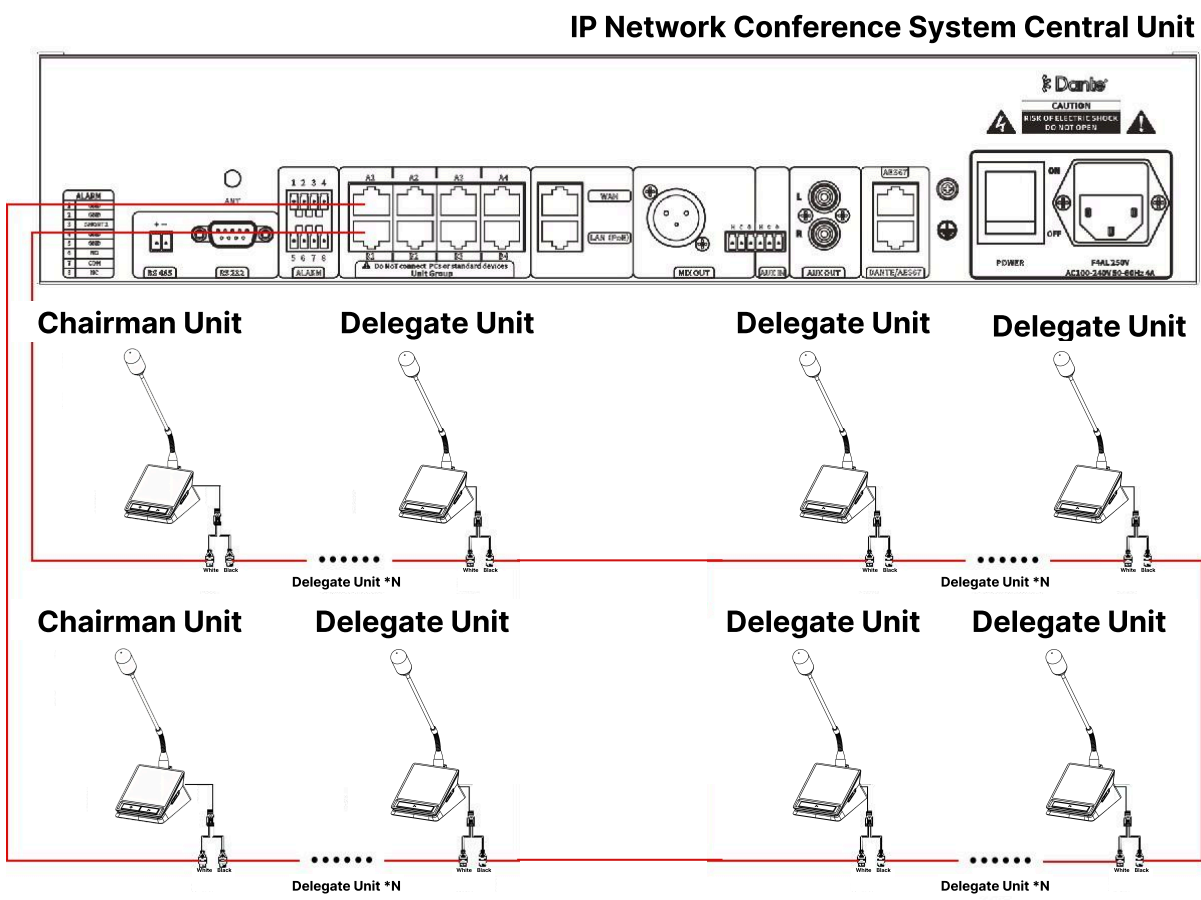
INSTALLATION INSTRUCTIONS



CONNECTION DIAGRAM (Local Daisy-Chain Connection)



CONNECTION DIAGRAM (Local Ring Connection)



CONNECTION DIAGRAM (Network Daisy-Chain/Ring Connection)

IP Network Conference System Central Unit

