



LCN-8003CW-L

Wireless Digital Conference Chairman Unit

- Video Tracking
- 4.3" Touchscreen
- High-Fidelity Microphone
- Supports USB-C or charging base charging
- Representatives Management

USB-C/Magnetic
Charging

8000mAh
Battery

4.3-Inch
Touch Screen

One touch
Mute

Wi-Fi 6

ANC

MAIN FEATURES

▲ Wireless IP Conference Architecture

- All-IP network design with support for 5G / 6G Wi-Fi wireless connection
- Fully digital audio transmission with strong anti-interference capability
- Seamless integration with the LCN-8000 series conference host, supporting mixed wired and wireless systems

▲ Chairman Control and Conference Management

- Chairman Priority Function: Allows the chairman to manage, override, or mute delegate microphones when required.
- Multi-Mode Conference Support: Works with FIFO, Request, Chairman, Timed, and Voice-Activated conference modes.
- Clear Status Indication: Independent LED indicators show speaking status and microphone operation at a glance.

▲ High-Fidelity Audio Pickup & Processing

- Single 14mm gold-plated high-fidelity condenser microphone with supercardioid pickup pattern
- Extended pickup distance ensures clear speech capture even when the speaker is not close to the microphone
- Supports independent local gain and AGC adjustment on each microphone unit
- Wide frequency response (20Hz-20kHz) delivers natural and intelligible voice reproduction

▲ High-Capacity Battery & Fast Charging

- Built-in 8000mAh polymer lithium-ion battery
- Up to 12 hours of continuous speaking
- Up to 16 hours of standby time
- Supports magnetic charging dock and USB-C PD fast charging

SPECIFICATION

POWER PARAMETERS

Power Supply: Lithium Battery (8000mAh)

Power Consumption: $\leq 3W$

MICROPHONE AUDIO PARAMETERS

Frequency Response: 20Hz~20kHz

Sensitivity: $-41dB \pm 2dB$ (0dB=1V/Pa @1kHz)

Max SPL: 120dB SPL @1kHz, 1% THD

INTERFACE

3.5mm Audio Output Jack *1

MECHANICAL & ENVIRONMENTAL PROPERTIES

Mounting Method: Desktop

Installation Environment: Dry Indoor Locations

Display: 4.3 Inch Capacitive Touch Screen

Product Color: Black

Microphone Head: 14mm Diameter Gold-Plated Capacitive Microphone

Directional: Supercardioid

Shell Material: ABS/Aluminum Alloy

Working Temperature: $0^{\circ}C \sim +45^{\circ}C$

Working Humidity: $\leq 90\%RH$, No Condensation

Product Dimensions: 144(D) \times 100(H) (mm)

Warranty: 2 Years

ACCESSORIES

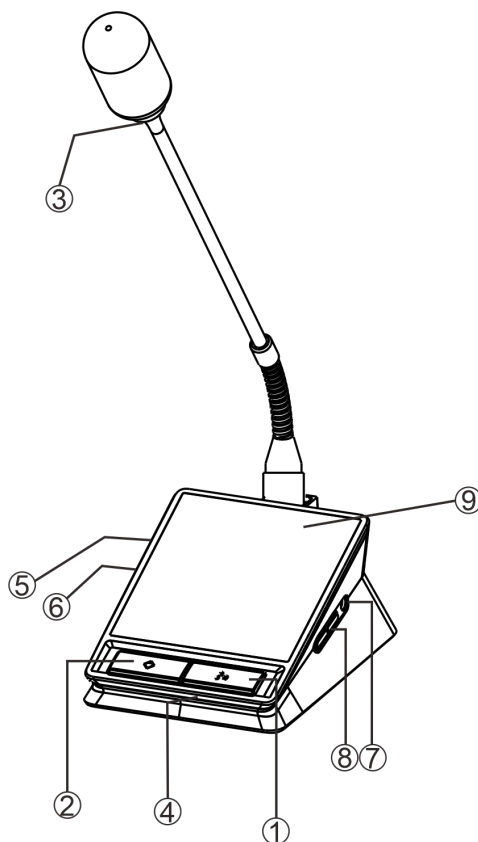
1 \times Quick Installation Guide

1 \times Quality Certificate

1 \times Warranty Card

INTERFACE DESCRIPTION

[Front Panel]



① Speak Button: LED on when idle; press to speak (LED off).

② Mute Button: LED off when pressed and all the delegate units that are speaking will be muted.

③ Microphone Rod Indicator: Lights up during speech.

④ Speech Status Indicator: Lights up during speech.

⑤ Reserved Indicator: Undefined

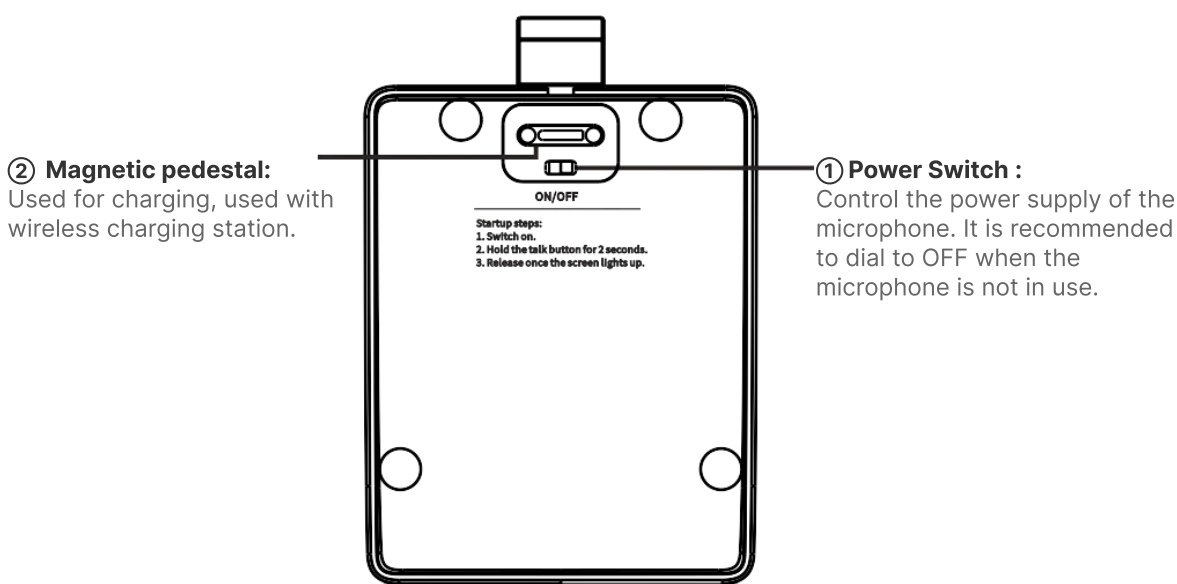
⑥ USB-C interface: Used for updating firmware.

⑦ 3.5 mm Audio Jack

⑧ Volume Buttons: + / - for 3.5mm audio output.

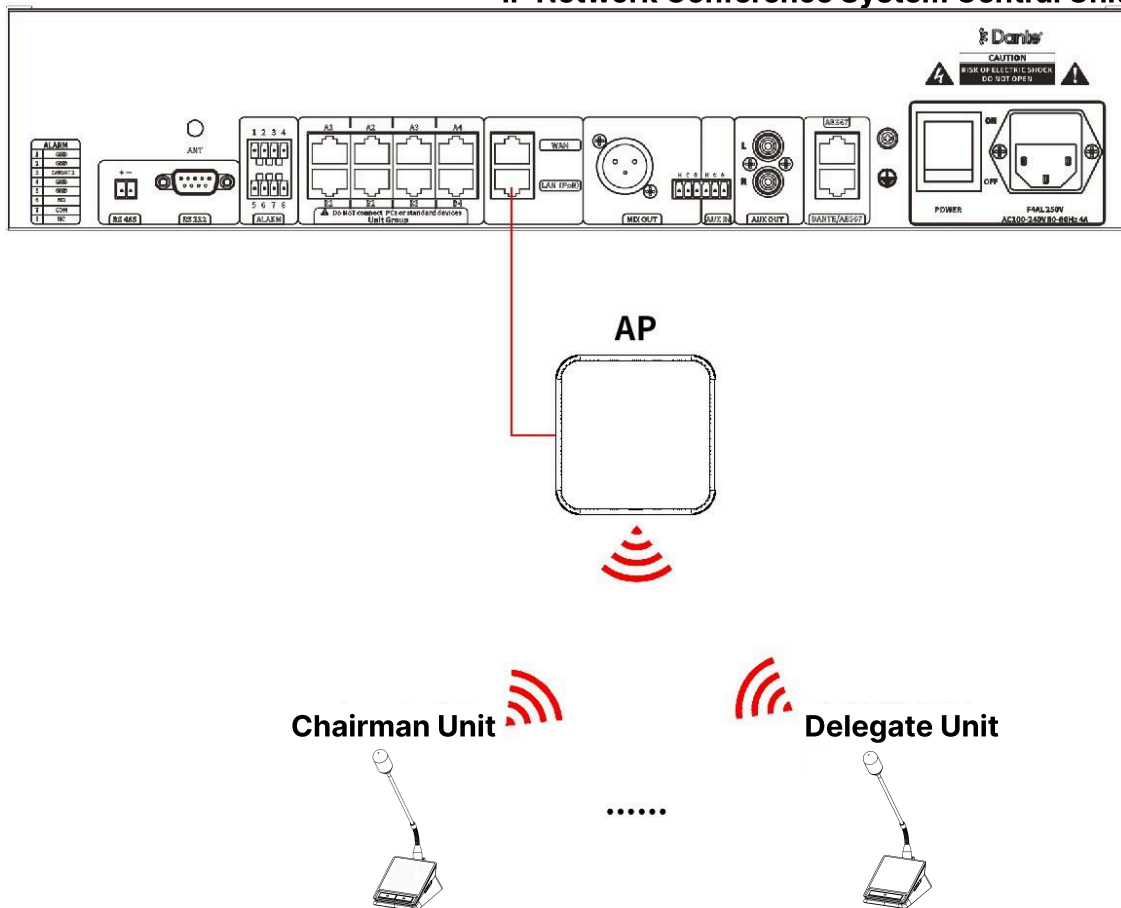
⑨ Touch Screen

[Rear Panel]

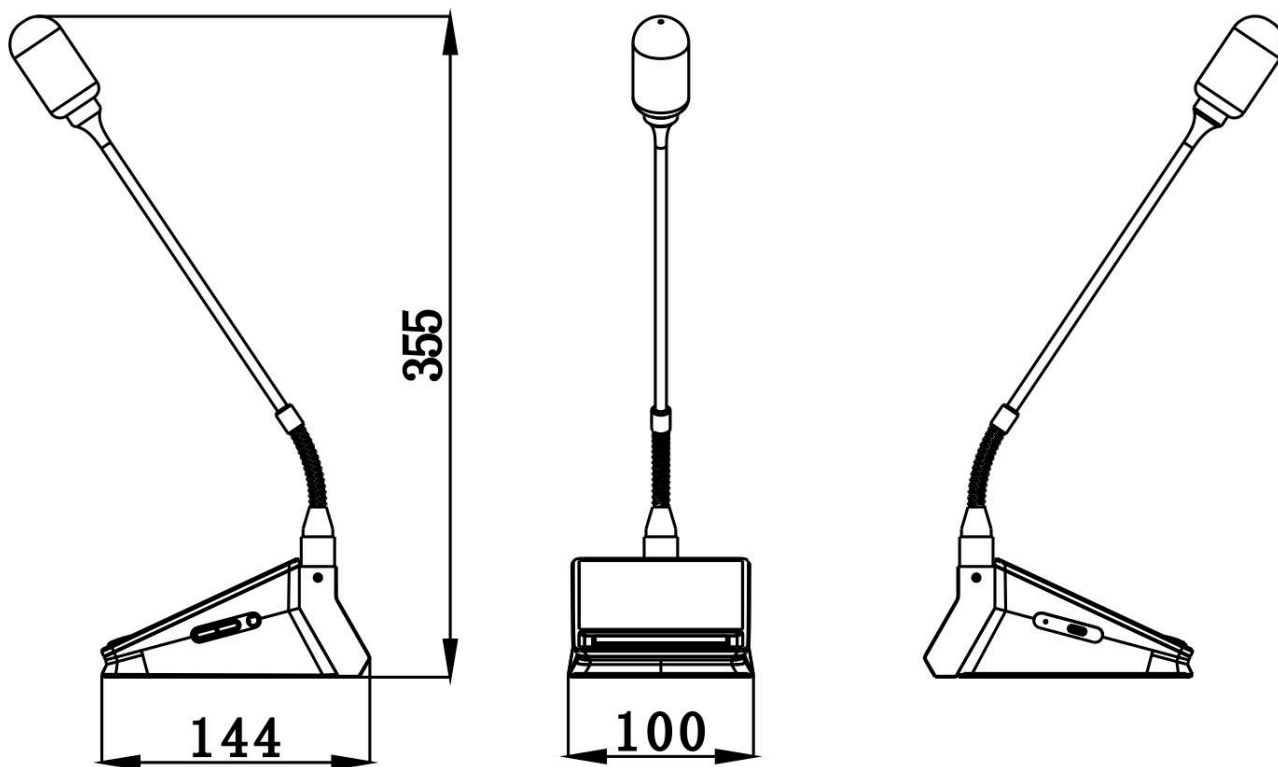


CONNECTION DIAGRAM

IP Network Conference System Central Unit



DIMENSIONAL DRAWING



INSTALLATION INSTRUCTIONS

