



RAFFAELLO TENSIONED is a new electric projection screen developed by ScreenInt and as all the other ScreenInt products is totally manufactured in Italy.

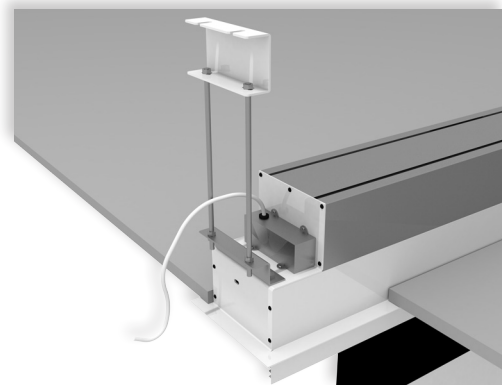
The screen has an innovative mechanical construction which makes it an ideal and unique solution for in-ceiling installations both in residential and AV professional environments.

Its peculiarity is that, **once mounted inside the false ceiling, the product is completely hidden** and no visible openings can be seen.

The mechanism is composed by two silent and fast motors, one for the opening of the trap door and the other for rolling down of the projection screen.

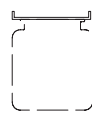
Raffaello Tensioned has sides in hour glass shape that together with the tensioning system assure a perfect flatness to the projection surface.

IMPORTANT: The structure allows substitution of the projection surface rolling pipe without the need to uninstall the product completely.



LEFT SIDE VIEW (motor side)

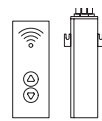
Available in 4:3, 16:9 and 16:10 formats or bespoke sizes.



n.2
Ceiling
mounting
brackets



n.1
On/off
switcher



Kit RF Remote
control with
external
receiver



Interface
switch 12 volt



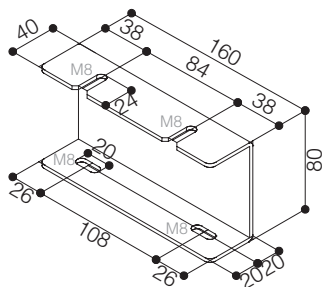
Low voltage
contact
interface

INCLUDED

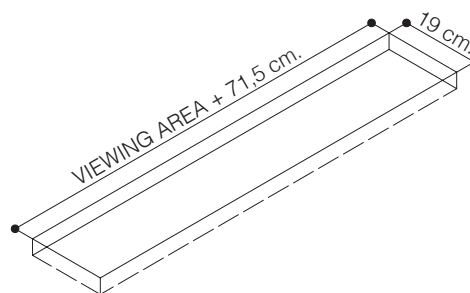
OPTIONAL pag 62-63



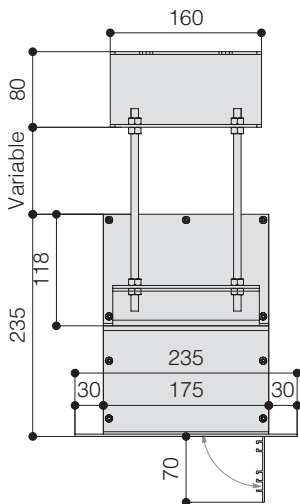
CEILING BRACKET



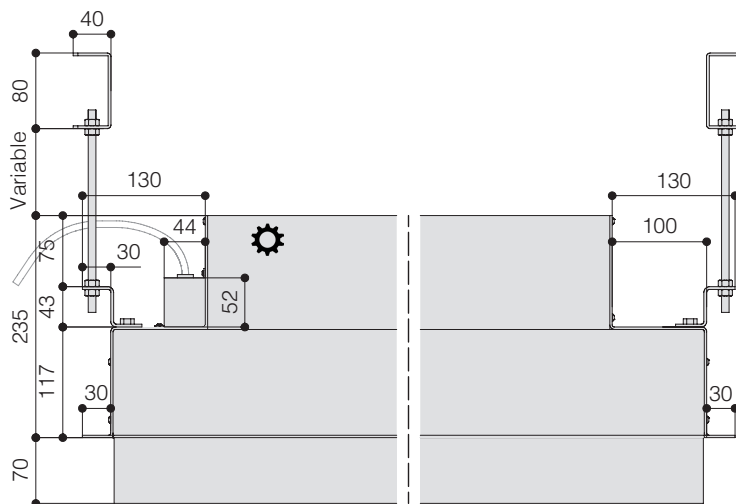
DIMENSIONS OF THE HOLE TO BE MADE IN THE FALSE CEILING



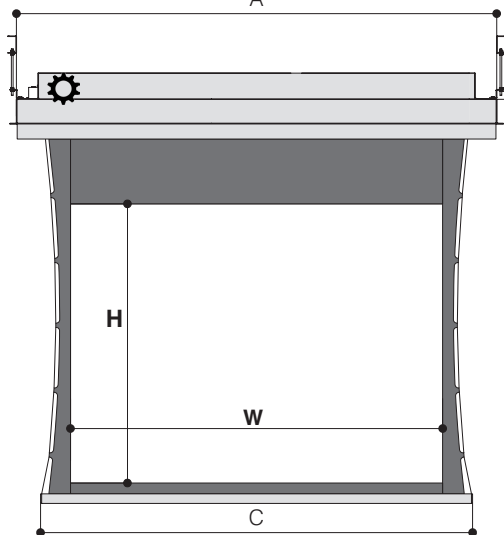
HOUSING SIDE VIEW



HOUSING FRONT VIEW



A



TECHNICAL SPECIFICATIONS

- Silent motor system provides a smooth and quiet operation
 - Power: **9 Nm**
 - Speed: **26 rpm**
 - Power supply: **230V / 50 Hz**
 - Consumption: **184 W**
 - Certification: **IMQ**
- Housing manufactured from aluminium
- Lower part of the housing, trap door and bezel sprayed with white epoxy powders (RAL 9010)
- Black dowel bar: height 44 mm. - depth 17 mm.
- Two ceiling mounting brackets with four threaded rods 100 cm. long
- On/Off switcher included
- Screen standard supplied with **cloth dropping** down from the front side of the housing
- Flame - retardant projection surfaces - classification M1, M2 and B1
- Side black borders of 5 cm. width (in the narrowest point), black bottom border of 5 cm. and black top drop of 30 cm.
- Hour-shape glass tensioning system to provide perfect flatness
- Minimum height needed into the false ceiling: 25 cm.
- Screen housing available in different colours (*optional*)

The measures in the drawings are expressed in millimetres.

DIMENSIONS measures in cm

4:3 Ratio Viewing area (WxH)	16:9 Ratio Viewing area (WxH)	16:10 Ratio Viewing area (WxH)	Overall dimensions A - C	Approx. net weight (Kg)
160 x 120	160 x 100	160 x 90	230,5 - 194	42
180 x 135	180 x 112	180 x 101	250,5 - 214	44
200 x 150	200 x 125	200 x 112	270,5 - 234	47
220 x 165	220 x 137	220 x 124	290,5 - 254	50
250 x 190	250 x 156	250 x 140	320,5 - 284	55
300 x 225	300 x 187	300 x 169	370,5 - 334	62
350 x 265	350 x 219	350 x 197	420,5 - 384	69

PROJECTION CLOTHS

Front projection surfaces	Gain	Rear projection surfaces <i>**no black borders**</i>	Gain
Matte White	1.0	Rear Plus	1.1
Lumi Grey	0.8	Front Rear	0.9
Cinesound*	0.7		
Microperforated	1.1		
Lumi Grey Microperforated	0.8		
Bright Contrast 3D 0.8*	0.8		
Ultra HD*	1.2		

*Limited in height

Warranty: 5 years on the motor - 24 months on the other components

ENGINEERED LIKE NO OTHER SCREEN IN THE WORLD
www.screenint.com

