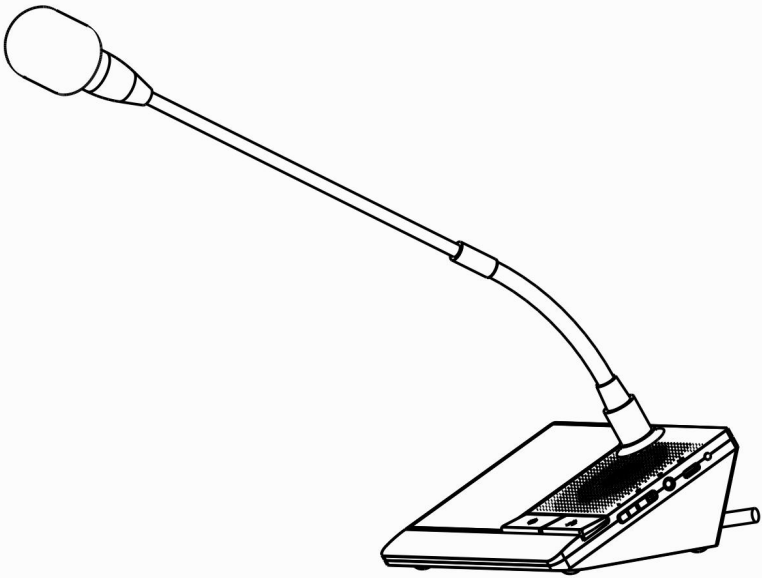
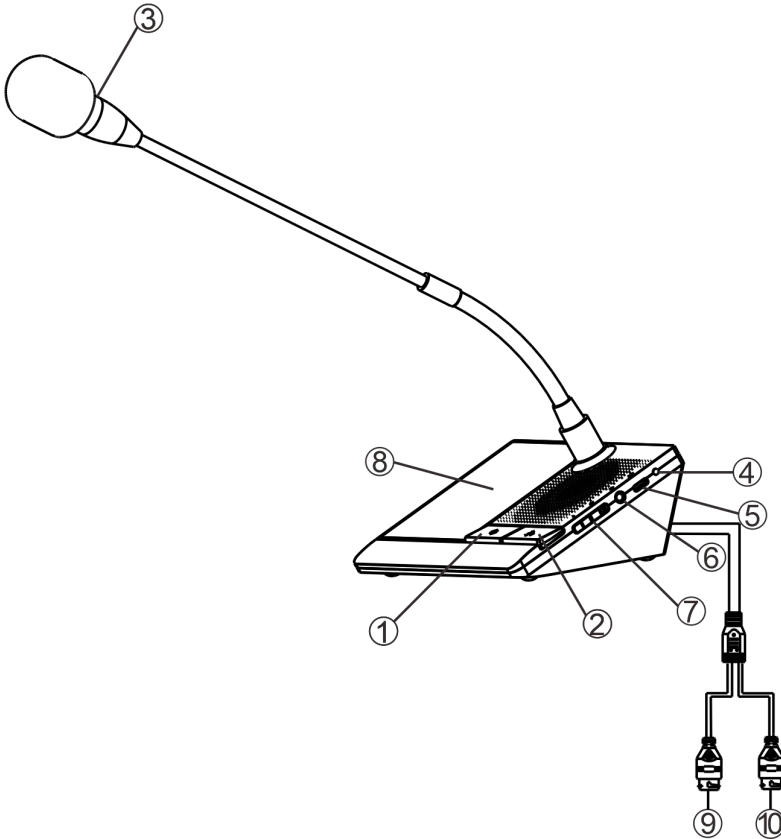




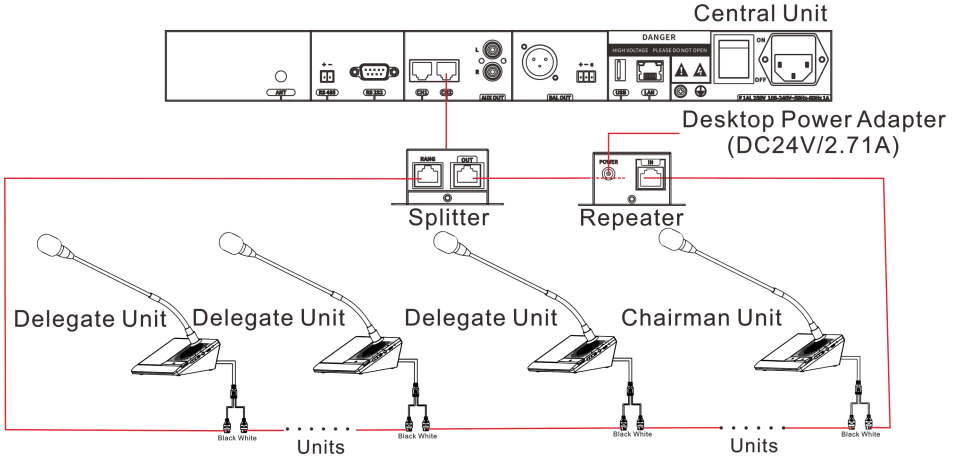
MICROPHONE UNIT(WIRED) Installation Manual



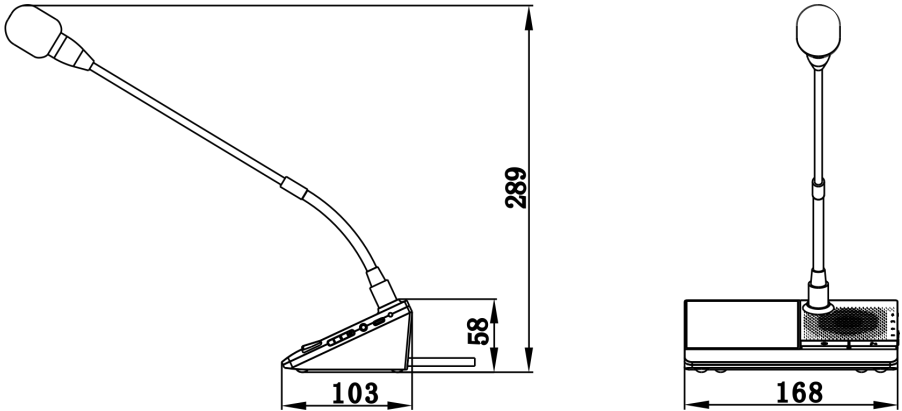
Interface Description

- ① Ban button
- ② Speak button
- ③ Microphone pole status light
- ④ Looped network status light
- ⑤ Type-C interface: used for updating program.
- ⑥ 3.5mm audio interface
- ⑦ Volume button+, -
- ⑧ Touch screen
- ⑨ White network port: Connect to the OUT port of splitter.
- ⑩ Black network port: Connect to the RANG port of splitter.

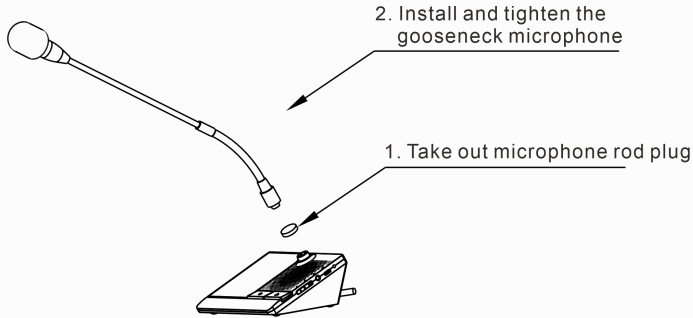
Wiring



Appearance Installation Dimension Diagram (unit :mm)



Installation Diagram



Specifications, Functional Components and Parameters

Power supply, Power consumption	Central unit supply 24V power input Chairman unit power consumption ≤ 3.5W
Audio coding format	MP3/PCM/ADPCM
Audio sampling rate, Bit rate	8Khz-48Khz, 16bit, 8Kbps-320kbps
(SNR)Signal to noise ratio, Frequency response	≥83dB、40Hz-18KHz
Server file broadcast (SNR)signal to noise ratio, frequency response	≥90dB、40Hz-18KHz
Screen	4 inch capacitive touch screen
Screen Resolution	480*480(RGB)
Headphone output interface	∅ 3.5mm Stereo jack
Storage	Built-in SPI FLASH
Connection method	Cat6a network cable
Microphone	Gooseneck microphone
Directional property	Supercardioid
Interface	RJ45 network port*2, connect to the next microphone unit
Operating temperature, Operating humidity	0-45℃, ≤90%(non condensing)
Dimension	168*103*289mm
Shell material	ABS+PC

Packing List



Microphone Pole
1pcs(Optional)



Windshield
1pcs(Optional)



Installation manual 1pcs



Certification
1pcs



SPON Communications Co., Ltd.
www.sponcomm.com
Service Hotline: +86-731-85570190
Reserve the amendment right without notice



V1. 1B250721