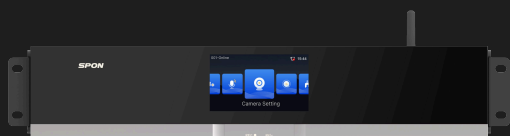


LCN-8000-PRO

IP Network Conference System Central Unit



The LCN-8000-PRO is an IP network conference control unit featuring web-based management, wired/wireless unit access, and low-latency digital audio, with a 16×16 interpretation audio matrix and Dante I/O for multilingual conferencing and AV integration.

16×16 Interpretation Matrix

Dante

Multi-Channel Audio Output

4.3" Touch Screen

MAIN FEATURES

▲ System Scalability & Cascading Architecture

- Central Unit Cascading: Supports cascading between central units for large-scale deployments and multi-room conference linking.
- High-Reliability Networking: Supports flexible topology planning with automatic loop self-diagnosis and power-on self-check for stable operation.
- Standard Protocol Compatibility: Supports TCP/IP, UDP, IGMP, and HTTP for integration into enterprise networks.

▲ Simultaneous Interpretation & Audio Matrix Routing

- Built-in 16×16 Audio Matrix: Balanced 16-in/16-out routing designed for simultaneous interpretation signal distribution.
- Interpretation System Linkage: Works with an interpretation host/controller for flexible language channel assignment and routing.
- Professional Audio Networking: Equipped with DANTE interface.

▲ Visual Management, Recording & AV Integration

- Real-Time Web Management: Visual web interface for configuration, device status monitoring, and speaking activity tracking.
- Multi-Language UI: Supports English, Chinese, Russian, Japanese, and Italian interfaces for international projects.
- USB Recording & Audio Integration: Supports up to 64GB FAT32 USB drives for AAC/PCM recording; integrates easily with external mixers/amplifiers via balanced and line-level interfaces.

SPECIFICATION

POWER PARAMETERS

Power Supply:	AC100V-240V, 50HZ-60HZ
Standby Power Consumption:	≤10W (Without Microphones Connected)

DISPLAY PARAMETERS

Screen:	4.3" Color Touch LCD
Resolution:	480×272

NETWORK PARAMETERS

Network Chip Rate	100Mbps
Network Protocol:	TCP/IP, UDP, ARP, ICMP, IGMP, HTTP
Configuration Method:	Web Interface

AUDIO I/O INTERFACES

MIX OUT (XLR):	Balanced Audio Output
MIX OUT-HCG (Phoenix):	Balanced Audio Output
AUX IN-HCG (Phoenix):	Balanced Audio Input
Stereo Line Output (L/R):	RCA Output
DANTE Interface:	1 DANTE Support
Short-Circuit Input / Output:	1× Input (SHORT/GND), 1× Output (NO/COM/NC)
Audio Matrix:	16× Inputs 16× Outputs

CONTROL INTERFACES

RS232 Port:	1× Serial Communication Port
RS485 Port:	1× 2-PIN Port
ANT Port:	1× 2.4G Antenna Interface

NETWORK & MIC CONNECTION

A1-B4 Ports:	Connect Up To 4 Independent Microphone Loops
LAN Port:	RJ45 (Supports POE)
WAN Port:	RJ45 (Non-POE)
Extension Network Port:	RJ45 (Non-POE)

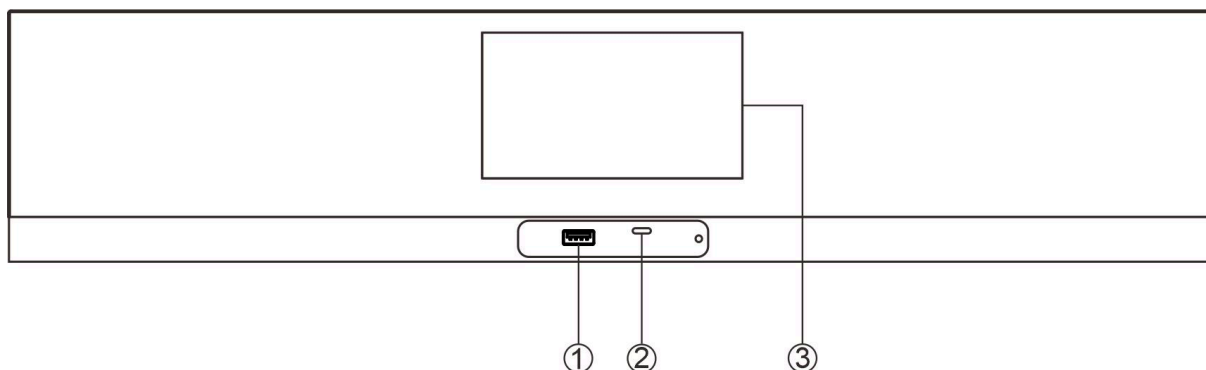
MECHANICAL&ENVIRONMENT PROPERTIES

Mounting Method:	Rack-Mounted
Installation Environment:	Dry Indoor Locations Only
Operating Temperature:	0°C–45°C (32°F–113°F)
Operating Humidity:	≤90% RH Non-Condensing
Housing Material:	Surface-Treated Steel Plate
Color:	Black
Product Dimensions:	483×281×88mm (WxDxH)
Warranty:	2 Years

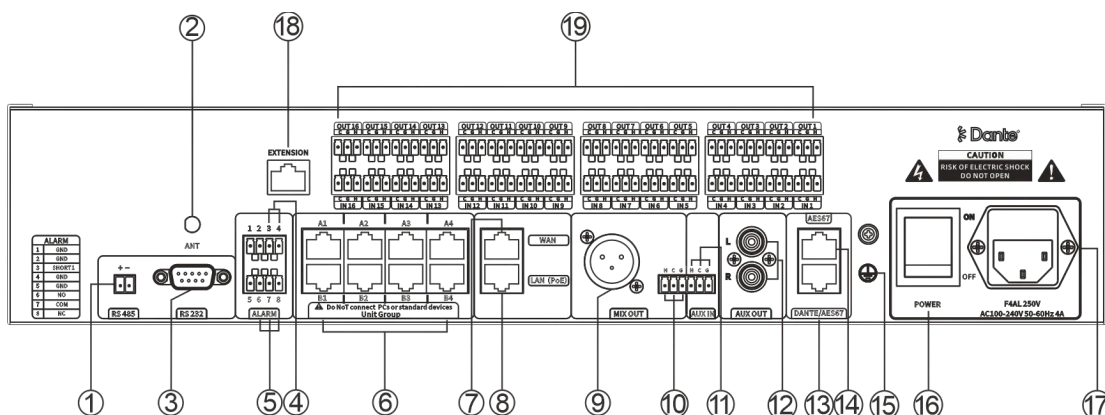
ACCESSORIES

1×Power Cord(3*1.0mm ² /1.5m) (Optional)
5×Foot Pad(FF-7)
1×Terminal(3.5-2P)
2×Terminal(3.81-4P)
2×Terminal(3.81-12P)
1×2.4G Glue Stick Antenna
6×Phillips Screws With Washers (M4×6)
2×Rack Ears
1×Quick Installation Guide
1×Quality Certificate
1×Warranty Card

INTERFACE DESCRIPTION

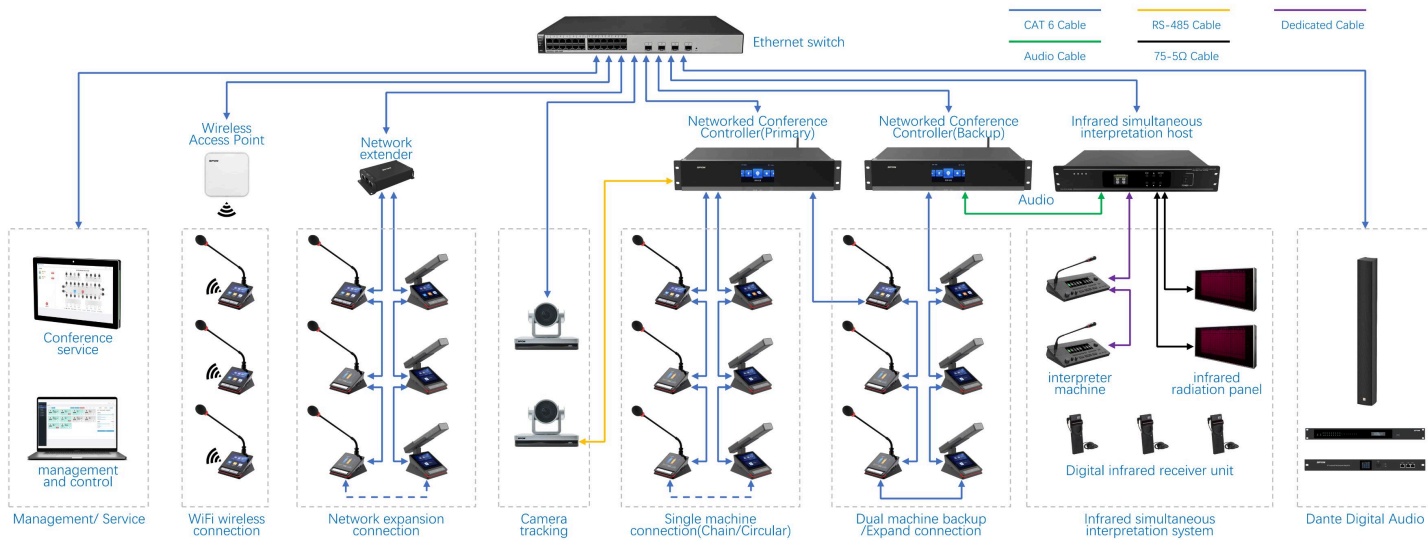


- ① USB Port: Insert a USB flash drive for meeting recording.
- ② USB Sound Card: Receives computer audio and outputs host audio.
- ③ Touch Screen: Displays system status and operation menus.



- ① RS485 Port
- ② ANT: 2.4GHz antenna interface.
- ③ RS232 Port
- ④ Short-Circuit Input: 3: SHORT 1 4: GND
- ⑤ Short-Circuit Output: 6: NO 7: COM 8: NC
- ⑥ A1-B4: Connect to conference microphones.
- ⑦ WAN: RJ45 network port (non-POE).
- ⑧ LAN: RJ45 network port (supports POE).
- ⑨ MIX OUT: Balanced audio output (XLR).
- ⑩ MIX OUT-HCG: Balanced audio output (Phoenix).
- ⑪ AUX IN-HCG: Balanced audio input (Phoenix).
- ⑫ Stereo Line Output – Left and Right Channel
- ⑬ DANTE/AES67 Port: It supports Dante® as a standard feature. AES67 is not enabled by default. It can be added as an optional extra hardware module please specify when ordering.
- ⑭ AES67 Port: Reserved.
- ⑮ Ground Terminal: Safety grounding point.
- ⑯ POWER: Power switch.
- ⑰ AC Power Socket: Connect to mains supply.
- ⑱ Cascading Port
- ⑲ 16 Analog Input/Output ports: for connection to the corresponding OUT and IN interfaces of the interpretation main unit.

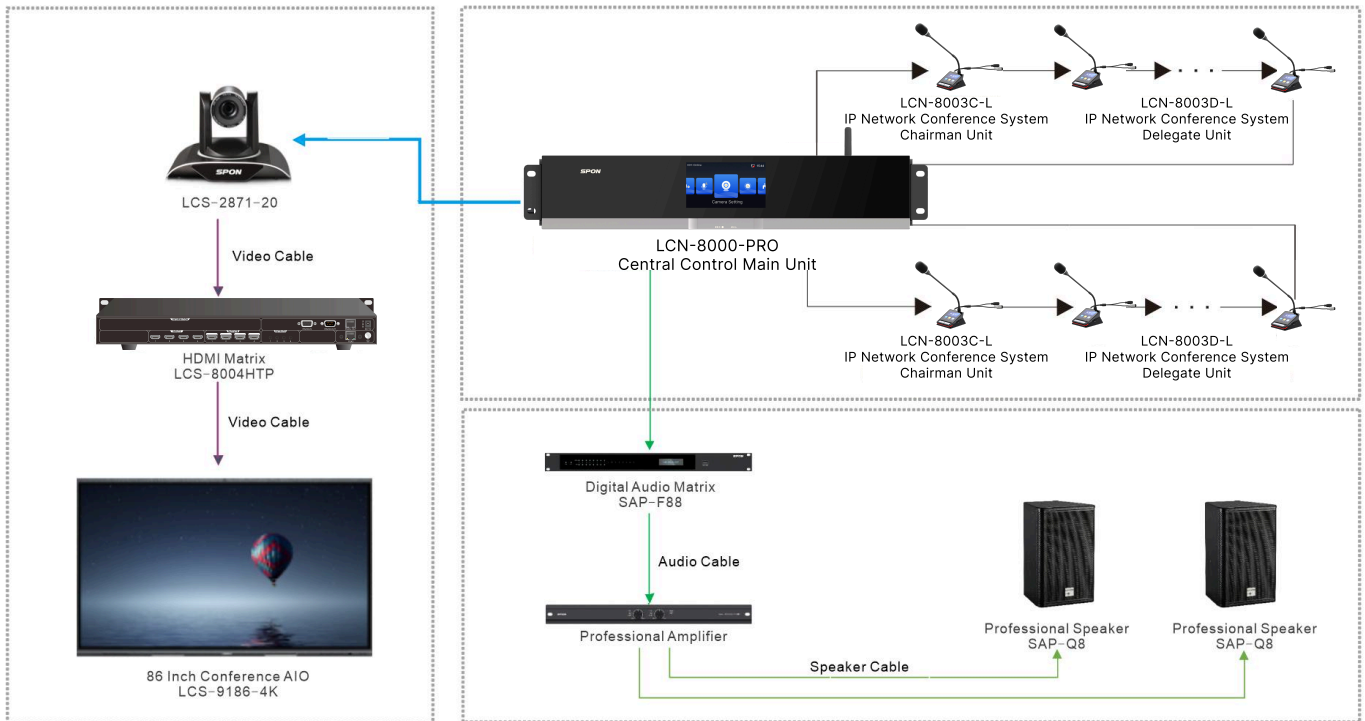
CONNECTION DIAGRAM



APPLICATIONS

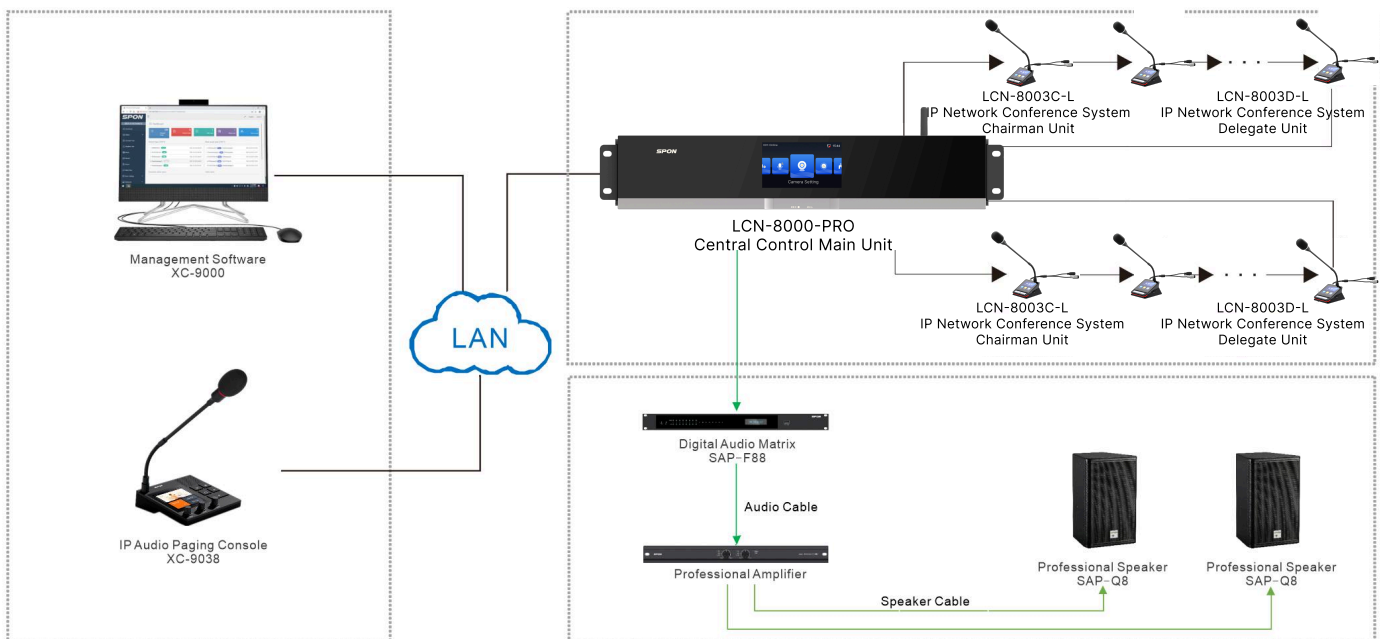
Application 1

The Conference central unit LCN-8000-PRO support to connect with chairman unit and delegate unit for local conference , also it provide audio output interface to realize local conference sound amplification. Meanwhile, it support to connect with HD conference camera for video tracking of conference presentation.



Application 2

The Conference cetral unit LCN-8000-PRO support to receive braodcast from management software or IP audio paging console , also it is support to make two-way intercom with the IP audio paging console.



DIMENSIONAL DRAWING

