

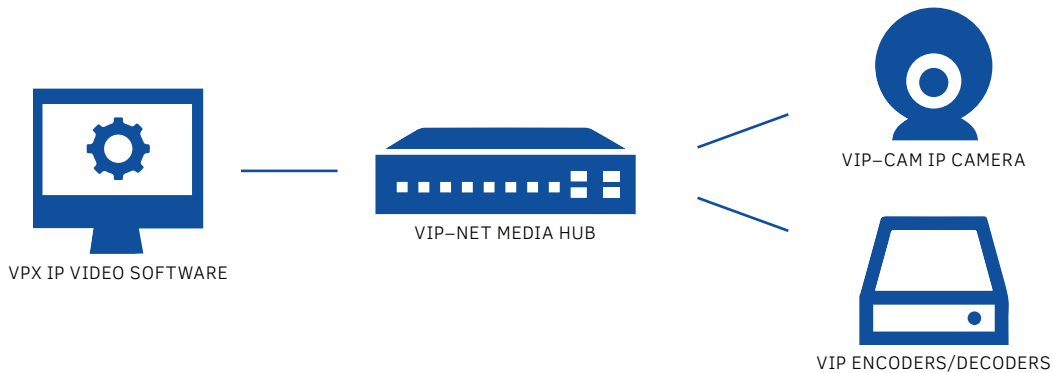
VIDEO OVER IP SOLUTIONS GUIDE

TABLE OF CONTENTS

■ OVERVIEW	1
■ ENCODERS/DECODERS	2
VIP Encoders Features Comparison	
VIP Decoders Features Comparison	
VIP-T300H-U TX/RX	
VIP-300H-U TX/RX	
VIP-200H II TX/RX	
VIP-101H TX Wall Plate	
VIP-100H II TX/RX	
VIP-STREAM-100	
■ MEDIA HUBS	7
VIP-NET-M28A	
VIP-NET-0424-1G	
VIP-NET-2404PP-1G	
VIP-NET-4804PP-1G	
VIP-NET-0448-1G	
VIP-NET-0815-10G	
■ PERIPHERALS	9
VIP-CAM-100	
VIP-CAM-CTRL1	
■ SOFTWARE	10
VPX IP Video Management Software	
VPX WallMaster™	
VPX Commander	
■ SERVICE & SUPPORT	13

OVERVIEW

PureLink's VIP line of robust **A/V over IP solutions** provide scalable, multi-source audio and video distribution over the network, combining proven hardware components with a server-based software application designed to simplify setup, configuration, and management of VIP systems.



Multi-format hardware options including the **VIP-200/300** encoders/decoders and purpose-built PoE CAT/Fiber Media Hubs, together with the revolutionary **VPX IP Video Management Software**, deliver a complete, **easy-to-manage** A/V over IP distribution system.

VPX KEY FEATURES:

- Third party control automation API
- Advanced video wall processing
- Preset creation & scheduling
- Device management
- Network discovery
- Simplified setup

COMMON APPLICATIONS

- Retail
- Conferencing
- Broadcast
- Digital Signage
- Security & Surveillance
- Entertainment Venues
- Restaurants & Hospitality
- House of Worship
- Esports

VIP ENCODERS FEATURES COMPARISON

TRANSMITTER (ENCODER) OPTIONS					
FEATURES	VIP-100H II TX	VIP-101 TX	VIP-200H II TX	VIP-300H-U TX	VIP-T300H-U TX
1080p	■	■	■	■	■
4K30 4:4:4				■	■
4K60 4:2:0				■	■
HDMI Input	■	■	■	■	■
HDMI Loop-Out	■		■		■
RS-232 Passthrough	■		■	■	■
TCP>RS-232			■	■	■
IR Input			■	■	■
IR Output	■		■	■	■
SPDIF Toslink INSERT Input				■	
3.5mm Stereo Audio INSERT Input				■	
3.5mm Stereo Audio Input			■		■
CATx Output	■	■	■	■	■
SFP Fiber Output Slot				MM or SM	MM or SM
(1) USB 2.0 Type A Port			■	■	■
User Settable Output Data Rate			■	■	■
USB KMS (Keyboard, Mouse, Storage) Support			■	■	■
HDCP Compliant	1.3		1.3	2.2	2.2
LED Channel Display	■			■	■
OSD Menus			■	w VPX+	■
Point-to-Point Extension	■	■	■	■	■
Distribution	■	■	■	■	■
Switching	■	■	■	■	■
Matrix Switching	64	64	999	999	999
PureStreamX Codec	H.264 base	H.264 base	mjpeg2000 base	mjpeg2000 base	mjpeg2000 base
Compatibility with VPX Software			■	■	■
PoE (Power over Ethernet)	■	■		■	■
Layered Switching (Audio, Video, USB, IR, RS-232)			■	■	■
Instant Switch Capable			■	■	■
System, Source, and Display Diagnostics via API			■	■	■
Third Party Control API	■	■	■	■	■
Data Rate	<=25Mbps	<=25Mbps	<=280Mbps	<=800Mbps	<=800Mbps
System Latency	<=400mS	<=400mS	<=16mS	<=16mS	<=16mS
Rack Mount Option	■		■	■	■
Wallplate		■			
TAA Compliant					■

VIP DECODERS FEATURES COMPARISON

FEATURES	RECEIVER (DECODER) OPTIONS			
	VIP-100H II RX	VIP-200H II RX	VIP-300H-U RX	VIP-T300H-U RX
HDMI Output	■	■	■	■
(4) USB 2.0 Type B Port		■	■	■
SPDIF Optical EXTRACT Output			■	
3.5mm Stereo Audio EXTRACT Output			■	
3.5mm Stereo Audio Output		■		■
RS-232 Passthrough	■	■	■	■
TCP>RS-232		■	■	■
IR Input		■	■	■
IR Output		■	■	■
CATx Input	■	■	■	■
SFP Fiber Input Slot			MM or SM	MM or SM
1080p Support	■	■	■	■
4K30 Output (4K60 Converted)			■	■
Video Wall		Up to 8x8	Up to 8x8	Up to 8x8
Image Rotation		90, 180 DEG	90, 180 DEG	90, 180 DEG
UP/DOWN Scaling 1080P/4K (Forced Output)		■	■	■
USB KMS (Keyboard, Mouse, Storage) Support		■	■	■
Handheld Remote ("Channel Style" Switching)	■	■	■	■
HDCP Compliant	1.3	1.3	2.2	2.2
LED Broadcast Channel Display	■		■	■
OSD Menus		■	w VPX+	■
Point-to-Point Extension	■	■	■	■
Distribution	■	■	■	■
Switching	64	999	999	999
PureStreamX Codec	H.264 base	mjpeg2000 base	mjpeg2000 base	mjpeg2000 base
Compatibility with VPX Software		■	■	■
PoE (Power over Ethernet)	■		■	■
Layered Switching (Audio, Video, USB, IR, RS-232)		■	■	■
Instant Switch Capable		■	■	■
System, Source, and Display Diagnostics via API		■	■	■
Third Party Control API	■	■	■	■
Data Rate	<=25Mbps	<=280Mbps	<=800Mbps	<=800Mbps
System Latency	<=400mS	<=16mS	<=16mS	<=16mS
Rack Mount Option	■	■	■	■
Wall Mount Option	■	■	■	■
TAA Compliant				■

VIP-T300H-U TX/RX

4K HDMI & USB/KM over IP Distribution System

- Ultra-low latency (<16ms)
- Ultra HD – 4K@30Hz (4:4:4), 4K@60Hz (4:2:0)
- HDCP 2.2 compliant
- Video wall processing (up to 8x8 configuration) and output scaler
- PoE (Power over Ethernet) 802.3af compliant
- Fiber SFP slot for optional SFP modules
- USB 2.0 Keyboard/Mouse Extension
- Extend signals up to 300 m. using network switch
- Comprehensive diagnostics via API – device discovery, signal data, and EDID
- Control via web interface, front panel, IR, VPX Management Software, and third party API
- Bi-directional RS-232 and IR Remote Control
- Layered switching of audio, video, USB, RS-232 and IR
- HDMI loop-out on TX (encoder)
- Supports Dolby, DTS, and LPCM audio
- TAA compliant
- Rack mount option available



VIP-T300H-U II TX



VIP-T300H-U II RX

VIP-300H-U TX/RX

Ultra HD/4K HDMI & USB/KM over IP Distribution System w/PoE

- Ultra HD – 4K/30 4:4:4, 4K/60 4:2:0 (converted to 4K30)
- HDCP 2.2 Compliant
- Video wall processing (up to 8x8 configuration)
- PoE (Power over Ethernet) 802.3af compliant
- Fiber SFP slot for optional SFP modules
- USB 2.0 Keyboard/Mouse Extension
- Extend signals up to 120 m. via CAT
- Comprehensive diagnostics via API – device discovery, signal data, and EDID
- Control via front panel, IR, VPX Management Software, and third party API
- Bi-directional RS-232 and IR Remote Control
- Layered switching of audio, video, USB, RS-232, and IR
- Digital and Analog Audio Insertion/Extraction
- Rack mount option available



VIP-300H-U TX



VIP-300H-U RX

ENCODERS/DECODERS

VIP-200H TX/RX

- Full HD/1080p@60Hz support
- HDCP 1.3 compliant
- Video wall processing (up to 8x8 configuration)
- Built-in scaler (Rx) – pass through or lock output resolutions
- RS-232 extension/steerable distribution
- USB 2.0 Keyboard/Mouse Extension
- Audio insertion and extraction
- Bi-directional RS-232 and IR control
- Input selection via remote control, front panel, VPX, or third party control system
- Layered switching of audio, video, USB, RS-232, and IR
- Comprehensive diagnostics via API – device discovery, signal data, and EDID
- Loop-out on transmitter (encoder)
- Point-to-Point, Distribution, Switching, and Matrix systems
- Rack mount option available

HDMI & USB/KM over IP Distribution System



VIP-200H TX



VIP-200H RX

VIP-101H TX WALL PLATE

- Full HD/1080p@60Hz
- HDCP 1.3 compliant
- Point-to-Point, Distribution, Switching, and Matrix Systems
- PoE (Power over Ethernet)
- Compatible with VIP-100 II System
- Decora 1-Gang Wall Plate
- H.264 codec – low bandwidth (25Mbps max)

HDMI over IP Wall Plate Transmitter w/PoE

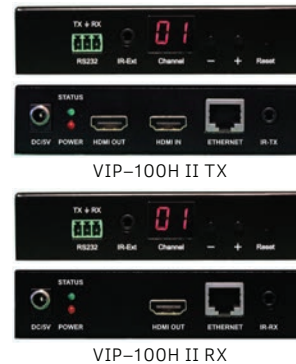


ENCODERS/DECODERS

VIP-100H II TX/RX

- Full HD/1080p@60Hz
- HDCP 1.3 compliant
- LED channel display
- Input selection via remote control
- Point-to-Point, Distribution, Switching, and Matrix Systems
- PoE (Power over Ethernet)
- RS-232 & IR extension/distribution
- HDMI loop-out on transmitter encoder
- H.264 codec – low bandwidth (25Mbps max)

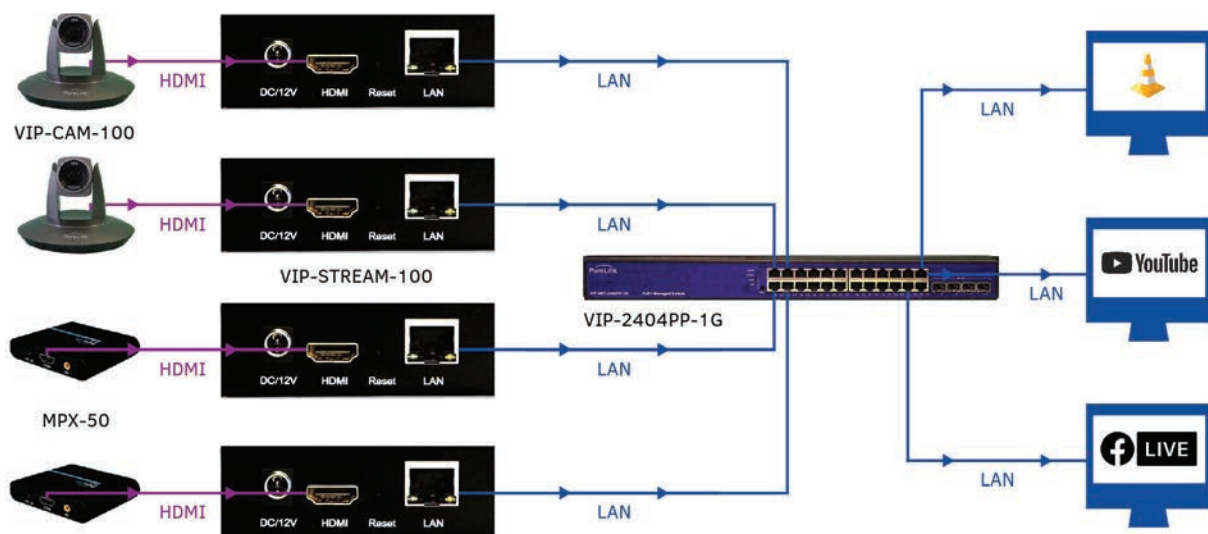
HDMI over IP Distribution System w/PoE



VIP-STREAM-100

- Full HD/1080p@60Hz
- HDCP 1.3 compliant
- Industry Standard H.264 codec
- Decode using any H.264 compliant software such as VLC, Facebook, and Youtube
- Supports UDP, HTTP, RTSP, RTMP, ONVIF protocol

HDMI Streaming Encoder



MULTIPLE HDMI SOURCES TO PC/DECODING SOFTWARE OVER IP NETWORK

MEDIA HUBS

VIP-NET-M28A

- Houses any combination of (4) CAT/Fiber modules (up to 28 ports)
- Modules include: RJ45, SFP, SFP+, ST and SC
- AVB Technology delivers ultimate reliability and ultra-low latency
- Master clock synchronization between all connected devices
- TAA Compliant

Layer 3 Modular 4-Port Media Hub w/AVB



VIP-NET-0424-1G

- 4 Port 1000Base-T, 24 Port 1000Base-X SFP
- 10Gbe SFP+ interlinks with LACP
- Rear-facing connections for improved rack installation
- Accepts AC or DC source power
- Rich API and Diagnostics
- Extensive security features
- TAA compliant

Managed L2+ 1G Media Hub



VIP-NET-2404PP-1G

- 24 Port 1000Base-T, 4 Port 1000Base-X SFP
- (4) SFP+ Slots for 20G or 40G Interlink
- PoE+ (802.3 at) on all RJ45 ports
- PoE+ Port Configuration & Scheduling
- Built-in Device Management (DMS)

Managed L2+ 1G Media Hub w/PoE+



MEDIA HUBS

VIP-NET-4804PP-1G

- 48 Port 1000Base-T, 4 Port 1000Base-X SFP
- (4) SFP+ Slots for 20G or 40G Interlink
- PoE+ (802.3 at) on all RJ45 ports
- PoE+ Port Configuration & Scheduling
- Built-in Device Management (DMS)

Managed L2+ 1G Media Hub w/PoE+



VIP-NET-0448-1G

- 48 Port 1000Base-X SFP, 4 Port 1000Base-T
- Optional 10G Sub-cards:
 - (1) 10G SPF+ Sub-cards
 - (2) 10G SFP+ Sub-cards

Managed L2+ 1G Media Hub w/10G Sub-cards



VIP-NET-0815-10G

- 8 Port 1000Base-T, 15 Port 10G SFP+
- Dual, Redundant Power Supplies (optional)

10G Media Hub w/Redundant Power Supplies



PERIPHERALS

VIP-CAM-100

3G-SDI IP Camera w/HDMI Output

- 2.14 Megapixel 1/2.8-inch Sensor
- H.264, 3G-SDI, and HDMI outputs
- Supports resolutions up to Full HD/1080p
- High quality 20X Optical Zoom 4.7~94mm (F1.6~3.5) with 12X Digital
- Advanced variable and smooth PTZ (Pan-Tilt-Zoom) function for higher precision and reliability
- IR remote control
- PELCO, VISCA, RS-232, and HTTP control
- Table, ceiling, or wall mountable
- Easy configuration via OSD menu
- On-board SD card slot for local recording/storage
- Digital noise reduction
- ONVIF, RTSP, RTMP, HTTP, TCP, UDP protocol support



VIP-CAM-CTRL1

PELCO/VISCA Camera Controller

- Compatible with any PTZ cameras that uses PELCO or VISCA control
- 4D joystick for pan/tilt/zoom/focus control
- High brightness OLED display
- Auto backlight keys
- Shortcut keys customization
- Supports up to 255 cameras using PELCO; 7 cameras using VISCA



VPX IP VIDEO MANAGEMENT SOFTWARE

The **VPX IP Video Management Software** offers advanced system tools that simplify setup and operation including automatic discovery of VIP-200 & VIP-300 transmitter and receiver modules, preset and automation schedule creation, external control, API, detailed diagnostic reporting, and more.

- **Device Discovery** – Detects all available transmitters and receivers
- **Device Mapping** – Automatically build I/O map or manually create/edit
- **Presets** – Create/preview up to 16 presets and automate execution schedules
- **Browser Interface** – Easy access through options such as Wi-Fi tablets
- **Advanced Diagnostics** – Monitor entire system with real-time visual feedback

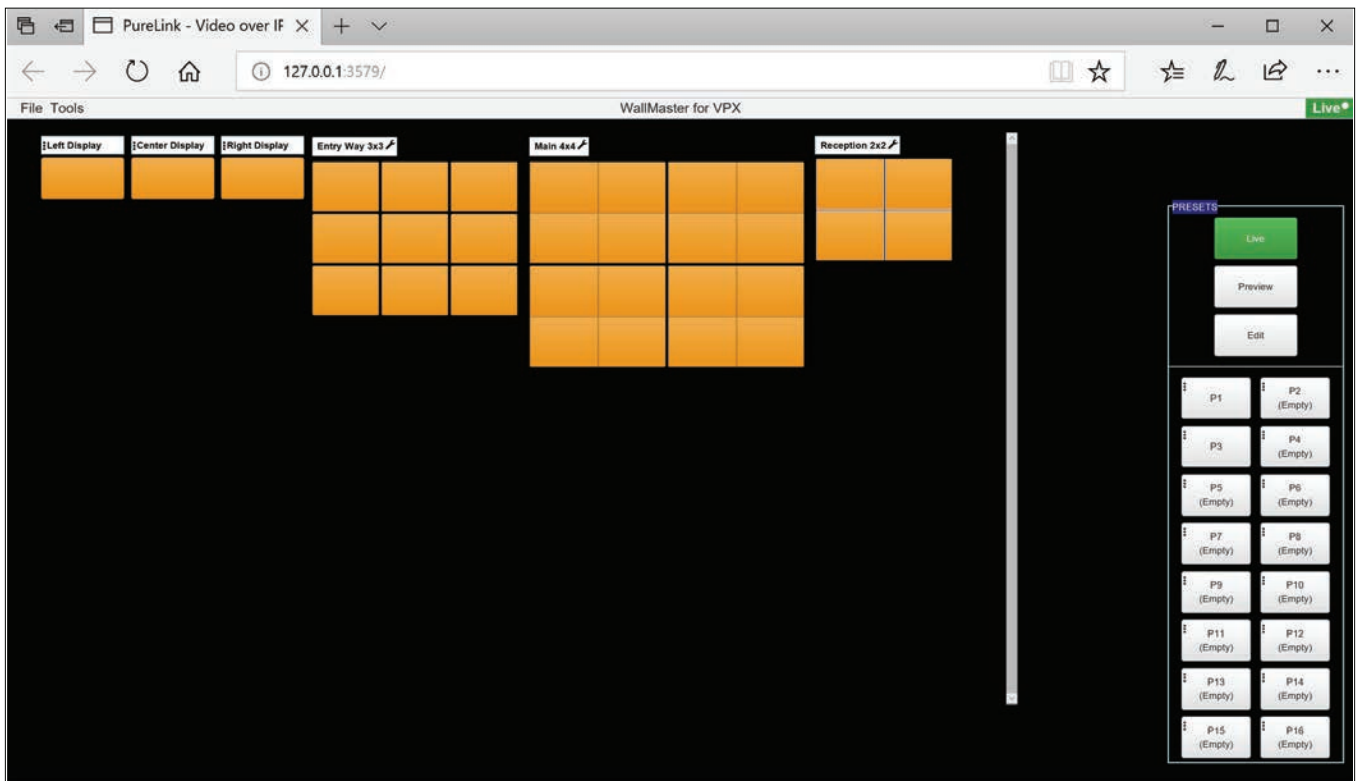
VPX IP VIDEO MANAGEMENT SOFTWARE FEATURES & OPTIONS			
FEATURES	VPX	VPX PLUS	VPX CUSTOM
Windows Server Program	■	■	■
Mac or Linux OS Option			■
Browser-based UI	■	■	■
Application specific UI			■
Auto Discovery	■	■	■
Manual Configuration	■	■	■
Dynamic Diagnostics	■	■	■
Automated Presets	■	■	■
Preset Preview	■	■	■
Event Log with Date/Keyword Filter	■	■	■
Third Party Control via HTTP API	■	■	■
VIP-200 Support with video wall/scaling	■	■	■
VIP-300 Support with video wall/scaling	■	■	■
Future VIP Modules	■	■	■
Up to 32x32 Matrix	■		
Up to 100x100 Matrix		■	
Custom Matrix Sizing			■
Graphical Floor Plan Style UI		■	■
Text Entry IO Assignment		■	■
E-mail Reporting, Alerts		■	■
WallMaster™	■	■	■
Display Control	Coming Soon	Coming Soon	Coming Soon

VPX WALLMASTER™

The **VPX WallMaster™** Plug-in integrates advanced video wall processing capabilities to the VPX IP Management Software package, adding deeper functionality to the VIP-300H-U encoders/decoders for digital signage and content distribution.

VIP WallMaster™ allows users to:

- Easily create multiple video wall arrays and display zone layouts
- Apply and re-configure layouts and sources on-demand
- Use VPX Preset Scheduler to call layout and input changes
- Call presets through API



SOFTWARE

VPX COMMANDER

- Auto-run all versions of VPX IP Video Management Software
- Fast and simple system discovery and setup
- Intuitive system operation
- Comprehensive dynamic diagnostic reporting
- Access user interface wirelessly via iOS, Android, Mac, and Windows devices
- 24/7/365 operation
- 1U rack-mountable design

VPX IP Video Management Hardware Client



SERVICE & SUPPORT

PureLink offers industry-leading support services designed to handle the unique needs of each project. From system design to comprehensive technical support, our dedicated team of Service & Support professionals are trained to provide a consistently superior user experience.

COMPLIMENTARY SYSTEM DESIGN

- Start a new design or upgrade an existing system
- Free system diagram and BOM

DEDICATED TECHNICAL SUPPORT

- Team of technical experts
- Industry's fastest response times
- Gold & Platinum support packages

PURELINK PROFESSIONAL SERVICES

- Pre-configuration services for VIP endpoints
- Warranty repairs and replacements
- Product evaluation program

TRAINING & WEBINARS

- Free online education (tutorials, quick guides, and more)
- Live webinars featuring VIP/VPX CTS certification