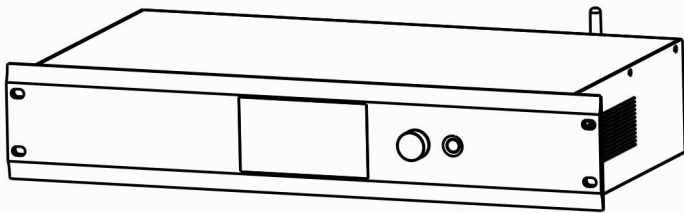




MASTER CONTROL UNIT (WIRED/WIRELESS)

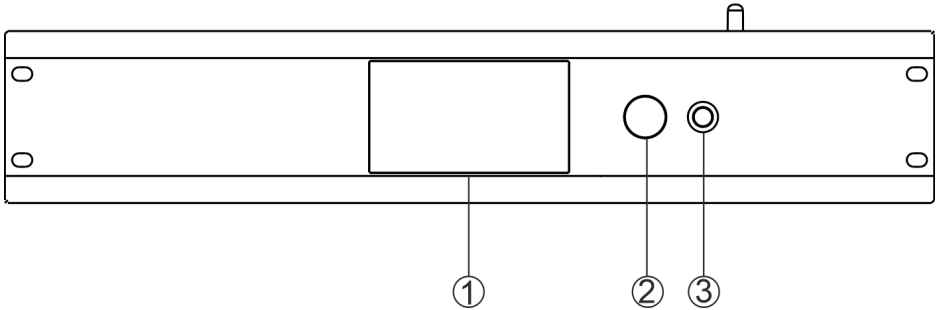
Installation Manual



Interface Description

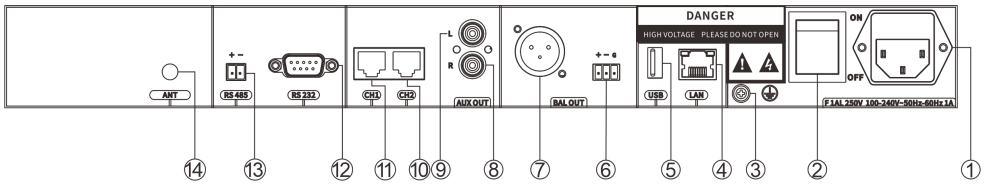
Central Unit

[Front panel]

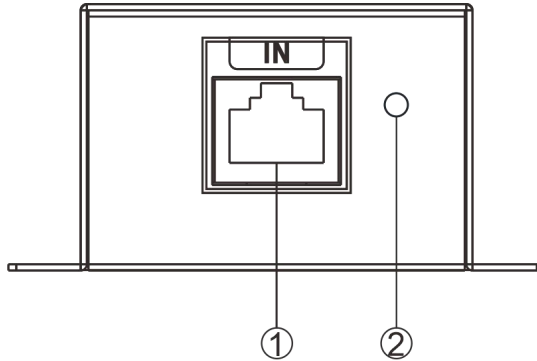


- ① LCD screen: Display central unit status information.
- ② Jog-Dial: Set the central unit status information.
- ③ Return button

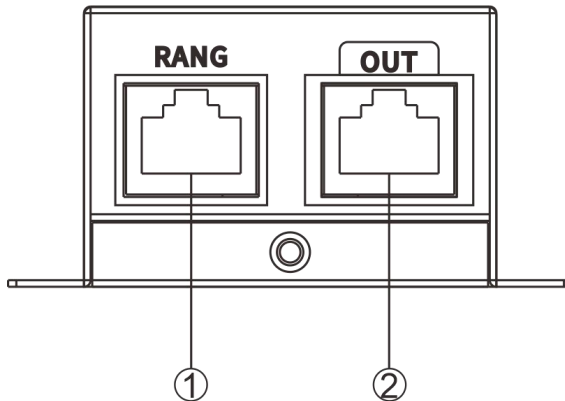
[Back panel]



- ① Power outlet: connect to 220V/50HZ mains
- ② Power switch
- ③ Ground hole: safe ground point
- ④ RJ45 network interface
- ⑤ USB interface: connect to a computer for device upgrades, or connect to external storage.
- ⑥ Wired microphone audio output channel
- ⑦ Wired microphone audio output channel
- ⑧ Bluetooth audio right channel output
- ⑨ Wireless microphone audio/Bluetooth audio left channel output
- ⑩ Looped network 2
- ⑪ Looped network 1
- ⑫ RS232 interface
- ⑬ RS485 interface
- ⑭ 2.4G antenna interface

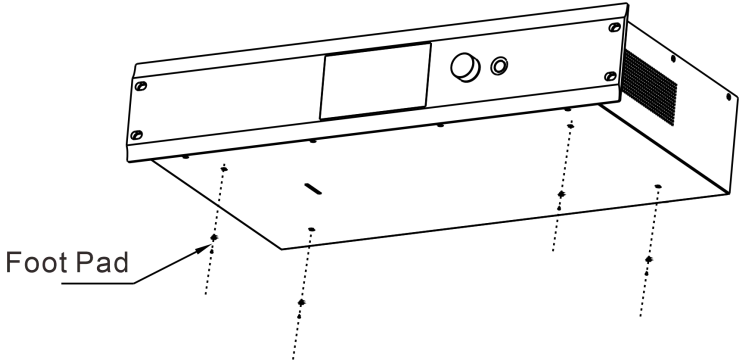
Splitter**[Front view]**

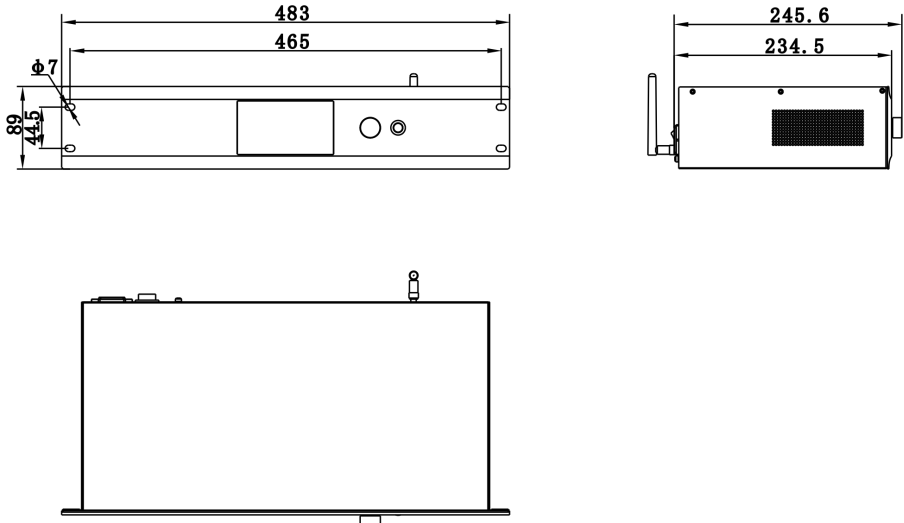
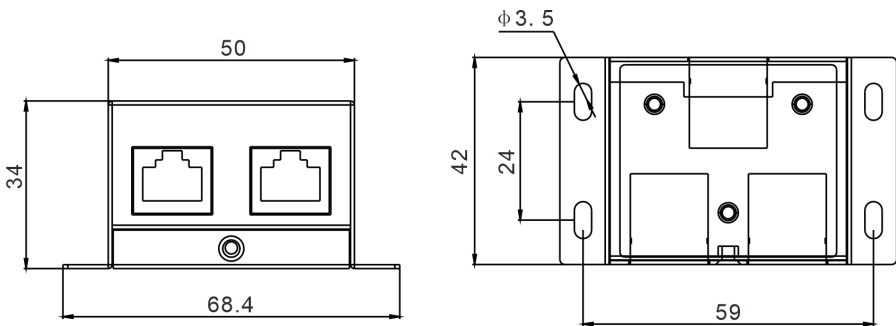
- ① IN: Connect to the Master Control Unit (Wired/Wireless).
- ② Status light: Light up when there is an electric pass ; when there is no electric pass, or the splitter is failure, the light will go off.

[Back view]

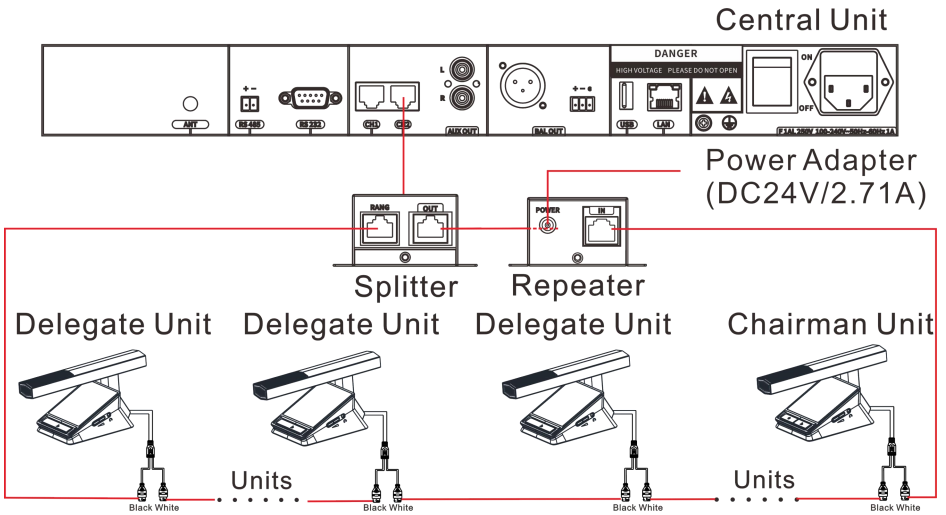
- ① RANG:Connect to the black port of microphone unit.
- ② OUT:Connect to the white port of microphone unit.

Installation Diagram



Appearance Installation Dimension Diagram (unit :mm)**Central Unit****Splitter**

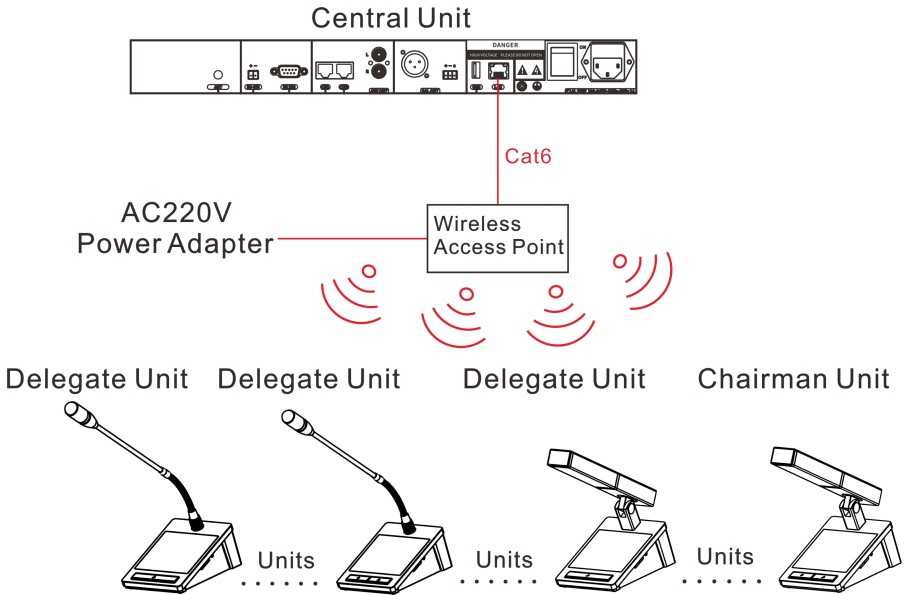
Wiring-Wired microphone connection



Note: There are two ring network ports. For wired connection, network cables above CAT-5E are required. It is recommend to use CAT-6 shielded network cables.

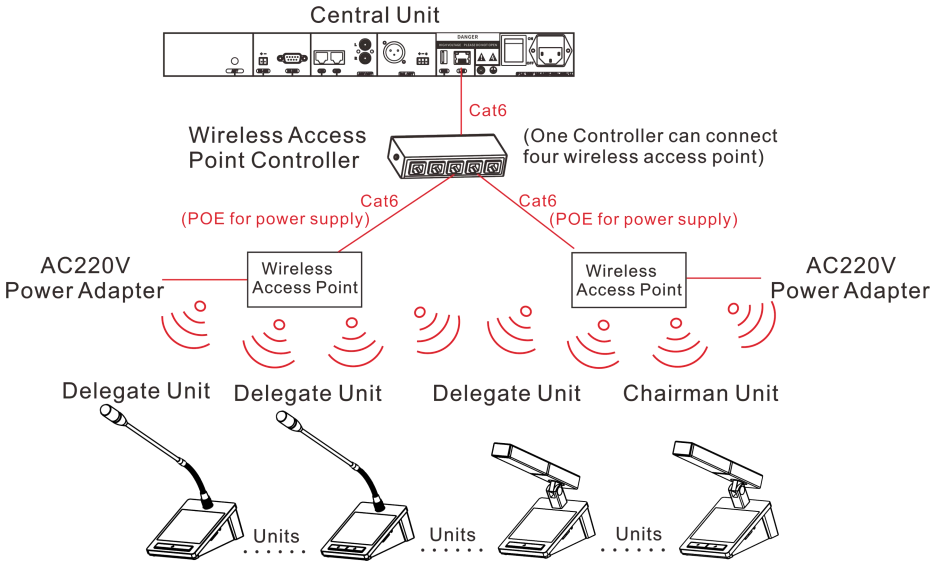
Wiring - Wireless microphone connection

(1) Single conference room and Single wireless access point

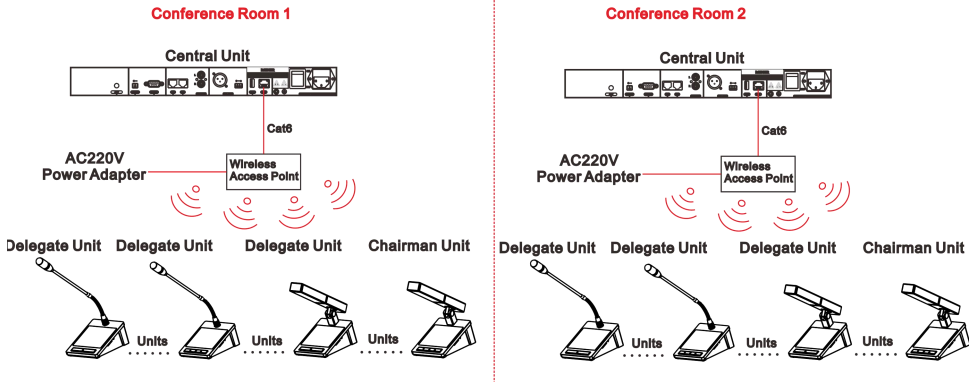


Note: The default name of the wireless access point is meeting_ap, password: Rdc070#*. After the wireless access point is connected to the central unit, the microphone will be automatically connected without additional configuration.

(2) Multiple wireless access point in a single conference room



Connect the wireless access point to the central unit. After the wireless access point connects to the wireless access point controller, the microphone will be automatically connected. In order to maintain stability, it is recommended that the wireless access point fix different channels in this environment.

(3) Adjacent conference rooms

To avoid signal interference, the default name of the wireless access point in conference room 2 need be changed at this time, and the microphone in conference room 2 should also be synchronized with the new name.

Note:

If there are multiple WiFi signals in a complex environment, you are advised to change the channel based on the current channel scanning results of the environment.

Specifications, Functional Components and Parameters

Power supply, power consumption	100V-240V~50HZ-60HZ 1A, ≤10W (chairman/delegate unit is not connected)
Network communication protocol	TCP/IP、UDP、ARP、ICMP、IGMP、HTTP
Network chip rate	100Mbps
Audio encoding format	MP3/PCM/ADPCM
Audio sampling, bit rate	8Khz-44.1Khz,16bit,8Kbps-320kbps
SNR(Signal to Noise Ratio), frequency response	>83dB、40Hz-18KHz
Display screen	4.3-inch color LCD screen
Resolution	480*272
Language	English
Interface	One RJ45 network interface,one USB interface,one phoenix audio balance output interface,one XLR audio balance output interface,lotus head stereo line output interface, two looped network output interfaces,one RS232 serial port output, one RS485 communication interface.
Working temperature and working humidity	0-45℃, ≤90% (non condensing)
Dimension	483×245.6×89mm

Troubleshooting

Fault Phenomenon	Cause of fault and troubleshooting
System date back to initial value?	The battery needs to be replaced, please contact a professional to replace battery.

Packing List



Power cable 1pcs
(3*1.0mm²/1.5m)
(Optional)



Splitter 2pcs



Foot pad
(FF-7)5pcs



Connection terminal
1pcs(3.5-2P)



Repeater 1pcs
(Optional)



Dual 6.35 connectors
converted to dual RCA
connectors audio cable
1pcs



2.4G glue stick
antenna 1pcs



Connection terminal
1pcs(3.5-3P)



Installation
manual 1pcs



Certification
1pcs



SPON Communications Co., Ltd.
www.sponcomm.com
Service Hotline: +86-731-85570190
Reserve the amendment right without notice

