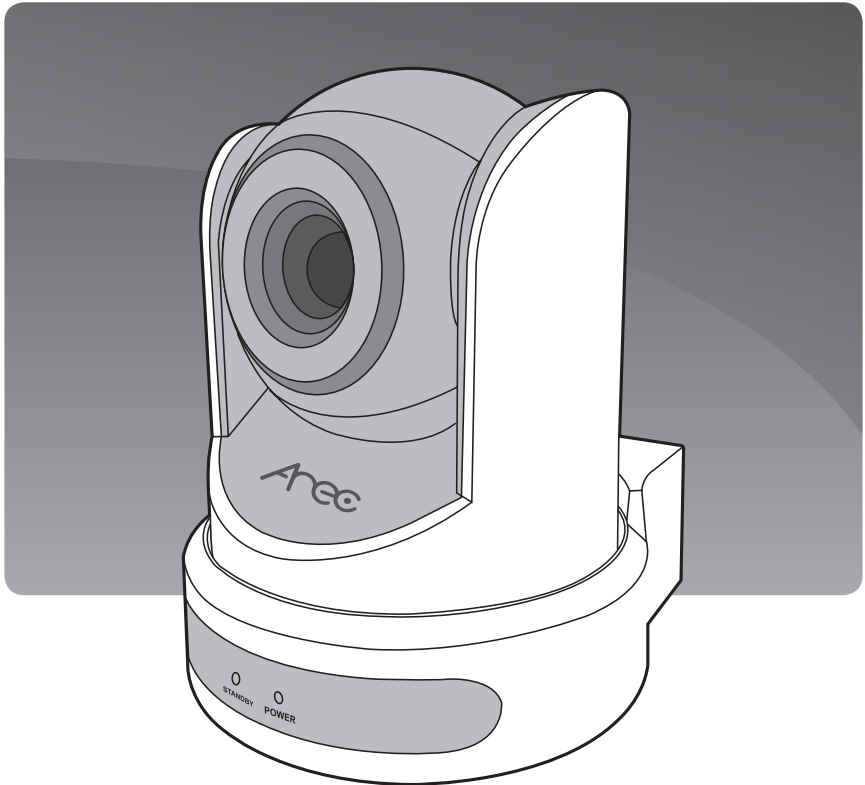




CI-T10

Auto-Tracking PTZ Conferencing Camera

Quick Installation Guide | English



Preface

This manual introduces the function installation and operation of the Camera.
Prior to installation and usage, please read the manual thoroughly.

1. Warning

- (1) This product can be only used in specified range in order to avoid any damage or danger;
- (2) Don't expose the camera to rain or moisture place
- (3) Don't remove the cover to reduce the risk of electric shock. Refer servicing to qualified personnel.
- (4) Never operate the camera under unqualified temperature , humidity and power supply;
- (5) Please use the soft cloth to clean the camera. Use neuter cleanser if bad smeared .Don't use the strong or cleanser avoiding scuffing.

2. Electric Safety

Installation and operation must accord with electric safety standard.

3. Caution to transport

Avoid stress,vibration and soakage in transport,storage and installation.

4. Polarity of power supply

This product uses DC 12V power supply.

5. Careful of installation

- (1) This series item must put on the smooth desk or platform,and it can not be installed slant ways.
- (2) Don't apply in corrosive liquid,gas or solid environment to avoid the cover which is made up of organic material.
- (3) This product has a heating device inside, please keep ventilated.
- (4) Never power on before installation is completed.

6. Don't disassemble discretionarily

We are not responsible for any unauthorized modification or dismantling.

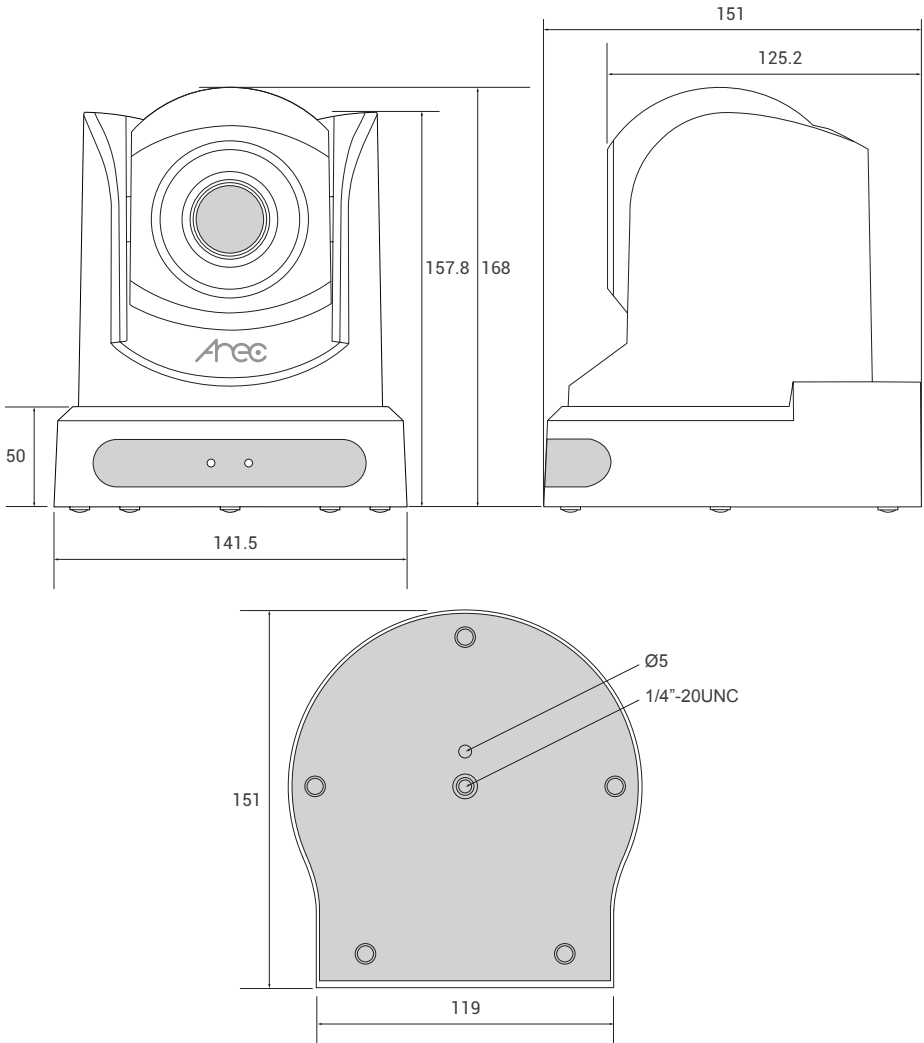
7. Attention

Electromagnetic filed under certain rate may affect camera image!

Product Overview

CI-T10 Auto-Tracking PTZ Camera is a cost-effective and high-performance pan-tilt-zoom camera. It can automatically track a moving presenter in medium to large conference rooms while shooting video. CI-T10 can bridge the feature and price gap between current webcam and professional PTZ cameras in the market.

1. Dimension



2. Accessory

No.	CI-T10
1	Power Adaptor
2	RS-232 Cable
3	USB2.0 Cable
4	Remote Controller
5	AM-600 (include USB Cable & QIG)
6	3.5mm phone jack to USB Cable (PC Config Tool setting cable)
7	Quick Installation Guide

3. Camera performance

The camera offers perfect functions, superior performance and versatile interfaces. The features include advanced ISP processing algorithms to provide vivid images with a strong sense of depth, high resolution and fantastic color rendition. It supports H.264/H.265 encoding which makes motion video fluent and clear even with less than ideal bandwidth conditions. By adopting high accuracy step driving motor mechanism, it works extremely quiet and moves smoothly and very quickly to designated position. Product works stable and reliable, and it is easy to use, installation and maintenance.

4. Technical specification

Camera Parameter	
Optical Zoom	10X
Focal length	f=4.7~46.3mm
Effective Pixels	2.07 megapixel
Video Output Port	USB 2.0 / Ethernet
Iris	F1.8--F2.8
Horizontal Angle of View	55.5° ~ 6.5°
Vertical Angle of View	35.1° ~ 3.6°
Digital Zoom	16X
Minimum Illumination	0.5Lux @ (F1.8, AGC ON)

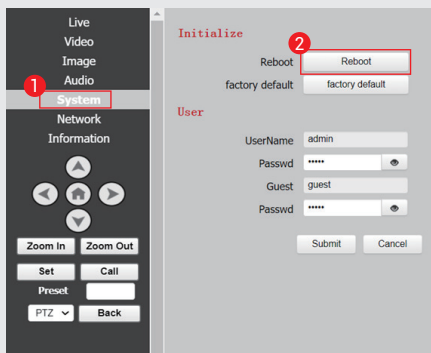
DNR	2D & 3D DNR
White Balance	Auto / Manual / One Push / Indoor / Outdoor / VAR
Exposure	Auto / Manual / Brightness priority / Shutter priority
Focus	Auto / Manual
Aperture	Auto / Manual
Electronic Shutter	1/30s ~ 1/10000s
BLC	ON / OFF
WDR	OFF / Dynamic level adjustment
Video Adjustment	Brightness, Color, Saturation, Contrast, Sharpness, B/W mode, Gamma curve
SNR	≥55dB

Input/Output Interface

Video Interfaces	LAN, USB2.0
Image Code Stream	Dual stream output

USB 2.0
 UVC 1.0
 - MJPEG : MAX. 1080@30fps
 - YUV : MAX. 1080@5fps
 IP Stream
 H.264, H.265, MJPEG
 Note:
 When you connect CI-T10 to a PC or other UVC device using the USB 2.0 port, and at the same time connect to the AREC Media Station using the RJ45 port, it will cause the streaming video to go black.
 To resolve this situation, please disconnect the UVC first, and reboot CI-T10. There are two ways to reboot the device. You can reconnect the power supply, or go to the web management interface (as shown below), click "System Settings", and click "Reboot", then the stream image will be resumed.

Video Compression



Audio Compression	AAC
HD IP Interface	100Mbps
Network Protocol	TCP/IP, HTTP, RTSP, RTMP(S), DHCP, Multicast, ONVIF
Control Interface	RS232
Control Protocol	RS-232: VISCA / Pelco-D / Pelco-P Network: VISCA over IP, Sony VISCA, ONVIF
Supply Adapter	AC100V-AC240V to DC12V/1.5A
Input Voltage	DC12V±10%
Input Current	0.5A (Max)
Consumption	6W
PTZ Parameter	
Pan Rotation	±170°
Tilt Rotation	-30°~+90°
Pan Control Speed	2.7-35.7°/ sec
Tilt Control Speed	2.7-31.5°/ sec
Preset Number	255 presets (0~254)
Tracking Parameter	
Tracking Distance*	3~10m
Battery life of AM-600**	Approximate continuous operating time: 4 hours
Other Parameter	
Store Temperature	-40°C ~ +60°C
Working Temperature	-10°C ~ +40°C
Dimension (L x W x H)	141.5 x 151 x 168 mm
Weight	About 1.3Kg
Using Environment	Indoor

* Without wall, human body or any large size barrier in between.

** Power saving function: The AM-600 will automatically power off, if it has been placed flat and static for more than 5 minutes.

Quick Installation Instructions

1. Camera interface and indicators description

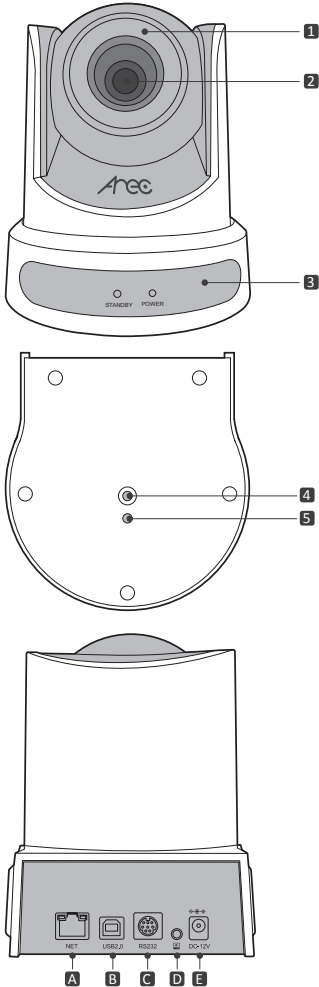
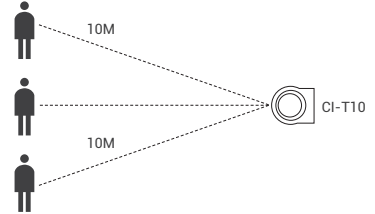
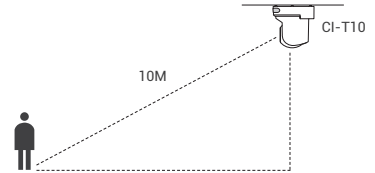


Figure 1

▪ The maximum distance between the presenter and the camera cannot exceed 10 meters.



▪ Please make sure the straight distance between the camera and the presenter (positioner) is not exceed 10 meters when the camera is installed on the ceiling.



No.	CI-T10
1	Auto-Tracking Receiver
2	Camera lens
3	Remote Controller Receiver (Standby / Power Indicator)
4	Standard 1/4"20 UNC screw
5	Mounting hole
A	Ethernet RJ-45
B	USB2.0 output
C	RS-232 port
D	Tracking Module setting port *This is not an audio input. Misconnection may cause damage to the device.
E	DC12V Input Power Supply Socket

No.	LED lights	LED Color	Glow Rule	Operation
3	Standby Indicator	yellow-green	light turns on	Camera in standby mode
			light flashes	Receive remote control signal
	Power Indicator	blue	light turns on	Power on

1.1 Power on initial configuration

- (1) Power on: Connect DC12V power supply adapter with power supply socket.
- (2) Initial configuration: Power on with power indicator light on and remote control receiver light blinking, camera enters the initialization mode, turn to the left side, and then goes to the HOME position (intermediate position of both horizontal and vertical),while the camera module stretches. When remote control receiver light stops blinking, the setting is finished.

Note:

1. The default address of the remote controller is the 1# address.
2. If you set preset 0, when the setting is completed, the camera automatically moves to the preset 0 position.

1.2 Video output

(1) Video Output from LAN

- a. Network Cable Connection Port: Connect this product and your computer through network cable, the device LAN interface refers to NO. A in Figure 1.
- b. Webpage Login: Open your browser and enter 192.168.11.202 in the address bar (factory default); press Enter to enter into the login page; click on the "player is not installed, please download and install!" and follow the installation steps for installation. Then enter the user name admin and password admin (factory default); press Enter to enter into the preview page, users can carry out PTZ control, video recording, playback, configuration and other operations.

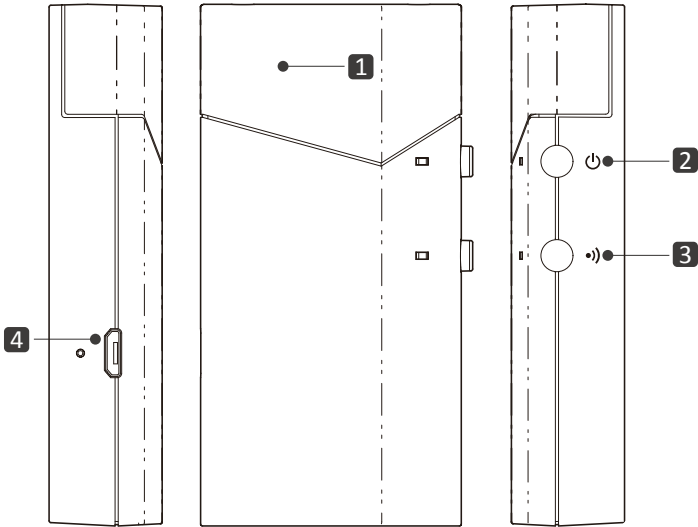
(Note: If you forget your user name, password, IP address, you can manually restore the default by the remote controller key combination * #)



(2) USB2.0 video output

- a. USB2.0 video cable connection: CI-T10 refer to No.B in Figure 1
- b. Connect the camera and the monitor via USB2.0 video cable, open video display software, select this device, and then video output will be available.

2. AM-600 interface and indicators description



No.	Interface	Light Color	Glow Rule	Operation
1	Positioner	-	-	-
2	Power ON / OFF and Tracking pause	Red / Green dual-color light	Green light turns on	Power ON
			Red light is on	When auto tracking function is Suspended Note: When the tracking function is paused, the Tracking Camera will return to the full-view position.
			Red light flashes	When power is low
			Red light flashes 1 sec	Press the button to power off
3	Microphone pairing / mute	-	-	Workable with AREC Media Station
4	Power input (USB Micro-B port)	Green	Green light is on	During power charging
			Light goes off	When the charging is complete
			Green light flashes	Charging error

Connection and Settings

Step 1 Connection

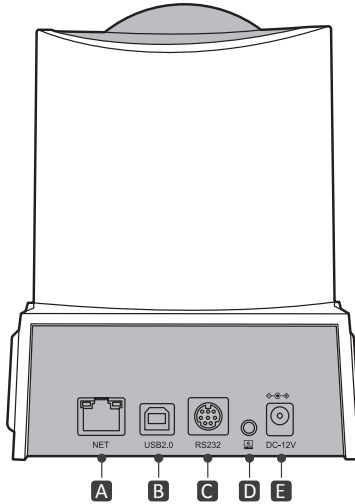
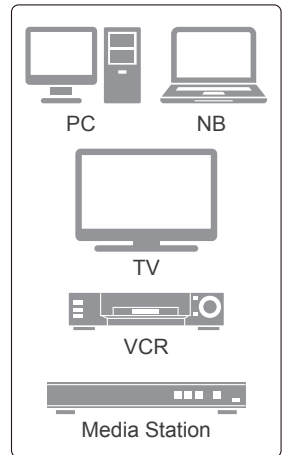
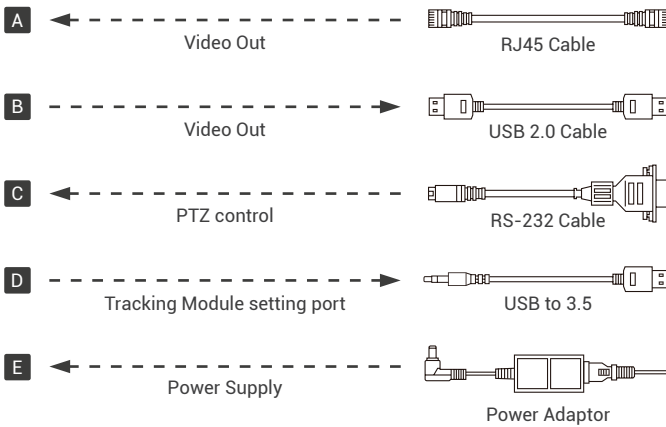


Figure 1



Step 2 Wear the positioner

Fix your AM-600 to the target person or object properly. For better tracking effect, wear a positioner with the smooth and transparent side facing out. Turn on AM-600 to start auto tracking.

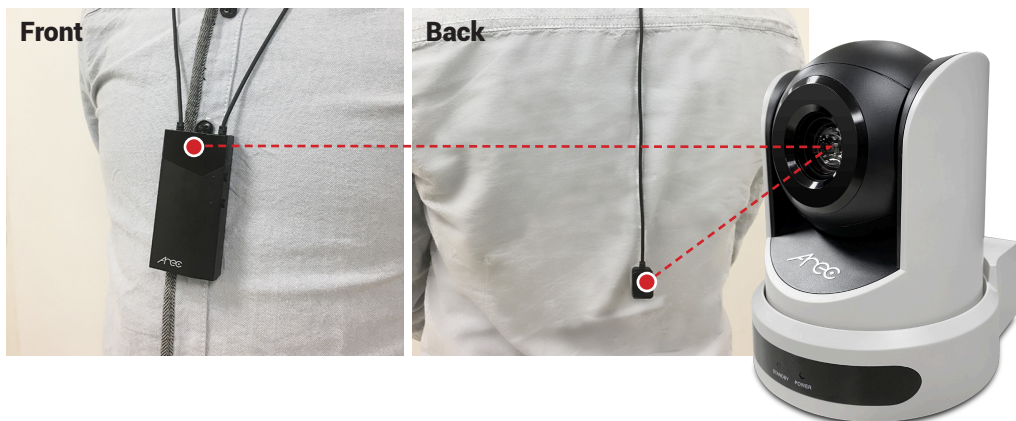
Note: Be sure to wait until the tracking camera is power on and reset to the initial position, before power on the AM-600.



Getting start

Accurate and Smooth Tracking Performance

In order to capture presenter's best performance, CI-T10 provides superior continued smooth movement even in situations where a presenter is writing on a whiteboard or close-up shots, just like a professional cameraman does.





AREC Inc. © All Rights Reserved 2021. | www.arec.com
All information contained in this document is Proprietary



Made in Taiwan
Date : 2021.1.1
Version : v8.1.29

AREC have the right to change or improve product specifications, without obligation to notify any user.
Go to www.arec.com get the latest information related to the product or additional information.