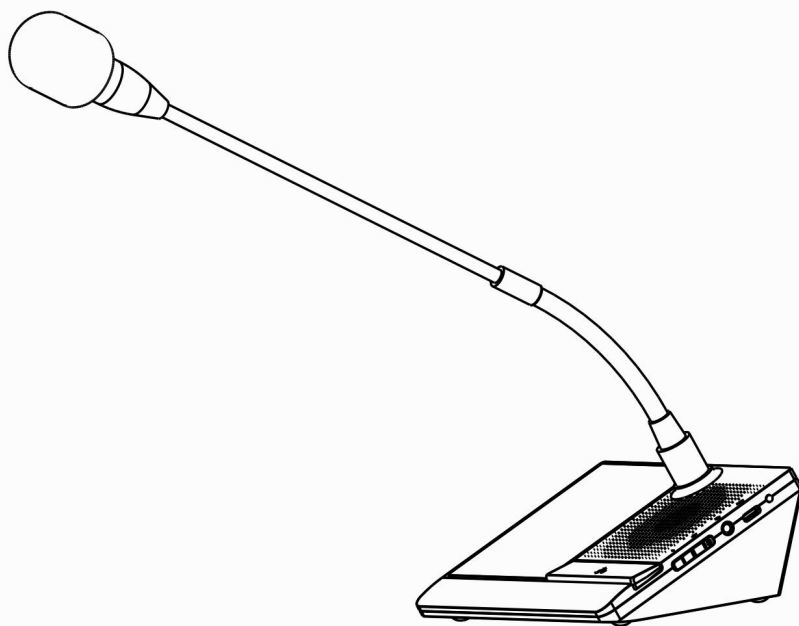


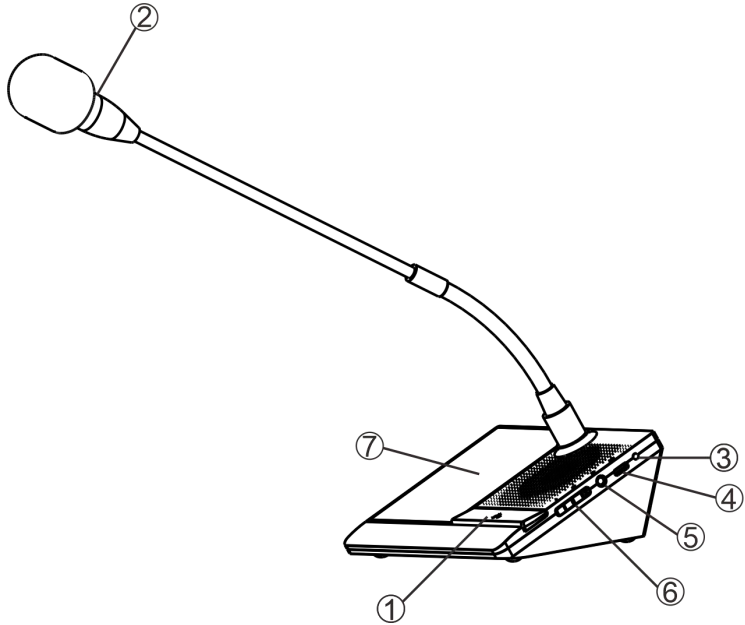
MICROPHONE UNIT(WIRELESS)

Installation Manual



Interface Description

Side View



①Speak button

②Microphone pole status light

③Side light

Green light is fast charging indicator: It is solid on during fast charging process, it is off during slow charging process.

Red light is charging indicator: it blinks during charging process, it is solid on after it is fully charged.

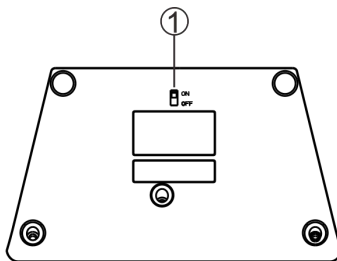
④Type-C interface: Used for charging. (can be used for updating program)

⑤3.5mm audio interface: Reserved.

⑥Volume button+, -: Reserved.

⑦Touch Screen

Bottom View



① Power switch

Usage Precautions

About battery power:

The battery icon in the upper right corner of the screen shows the battery level or charging status. When you turn on or use the microphone, it may take a long time to fully charge.

When the battery is below 30%, the microphone will prompt "Low battery, please charge as soon as possible";

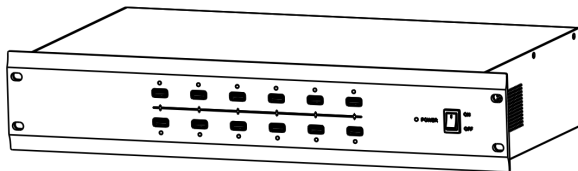
When the battery is below 10%, the microphone will prompt "Insufficient battery, please charge in time";

When the charge is below 1%, the microphone will prompt "Dead battery, the system will shut down automatically".

About charging the battery:

To charge the microphone, please follow one of the following operation (It is recommended charging with the microphone off.)

(1)It is recommended to use a matching USB charging box and charging cable connect to Type-C interface of microphone. It can be fully charged within 4.5 hours using USB charging box.



(2)Use a charging cable and compatible power adapter to access the microphone Type-C interface. For fast charging, a power adapter with a minimum output of 18W is required.

About Battery Life:

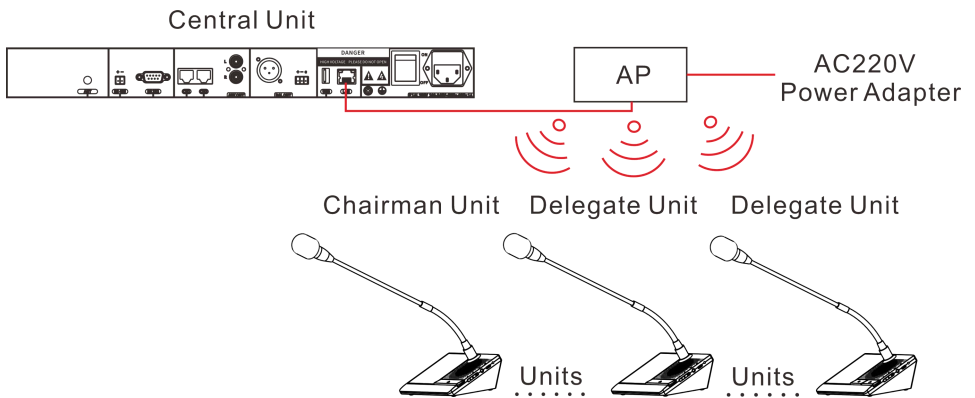
(1)When the device is not in use, it is advised to turn the power switch at the bottom to OFF.

(2)All rechargeable batteries are consumables, and as the battery chemical age increases and under special circumstances (low temperature, high temperature, etc.), the performance of the battery will be reduced.

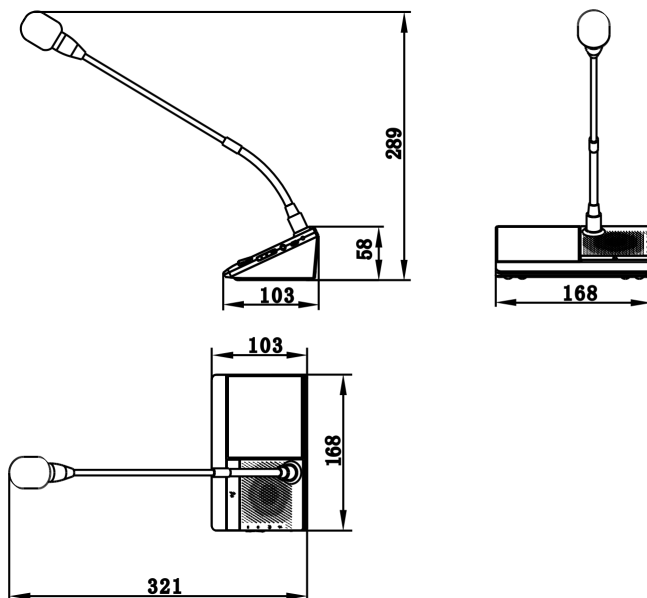
About screen brightness:

When the device is idle, the screen brightness will decrease after 1min/5mins/10mins to reduce power consumption and extend standby time.

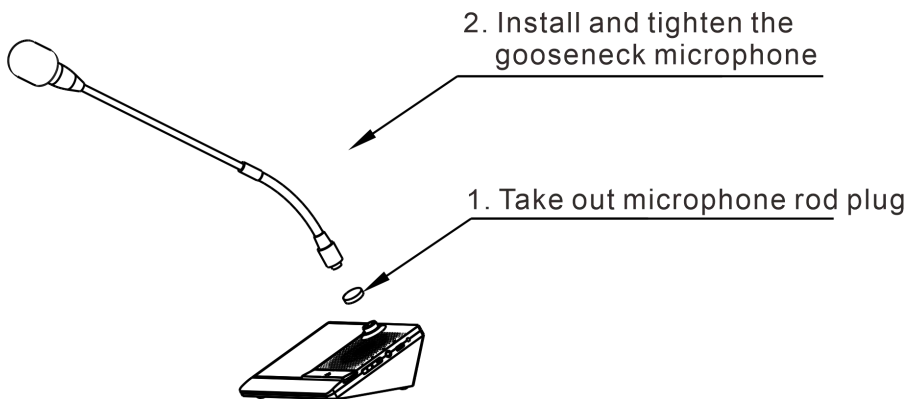
Wiring



Appearance Installation Dimension Diagram (unit :mm)



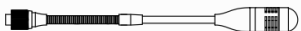
Installation Diagram



Specifications, Functional Components and Parameters

Power, Power Consumption	Lithium battery power supply, microphone unit power consumption $\leq 3W$
Audio Encoding Format	PCM/OPUS
Audio Sampling, Bit rate	48Khz, 16bit, 64Kbps-128kbps
SNR(Signal to noise ratio), Frequency response	$\geq 83dB$ 、40Hz-18KHz
Server file broadcast SNR(signal to noise ratio), frequency response	$\geq 90dB$ 、40Hz-18KHz
Network Protocol	WiFi Protocol
Screen	4 inch Capacitive touch screen
Screen Resolution	480*480 (RGB)
Headphone output interface	\varnothing 3.5mm Stereo jack
Storage	Built-in SPI FLASH
Connection method	Connect via AP
Microphone	Gooseneck microphone
Directional property	Supercardioid
Operating temperature, Operating humidity	0-45°C, $\leq 90\%$ (non condensing)
Dimension	168*103*289mm
Shell material	ABS+PC

Packing List



Microphone Pole
1pcs(Optional)



Windshield
1pcs(Optional)



Installation
manual 1pcs



Certification
1pcs



V1. 2B250721