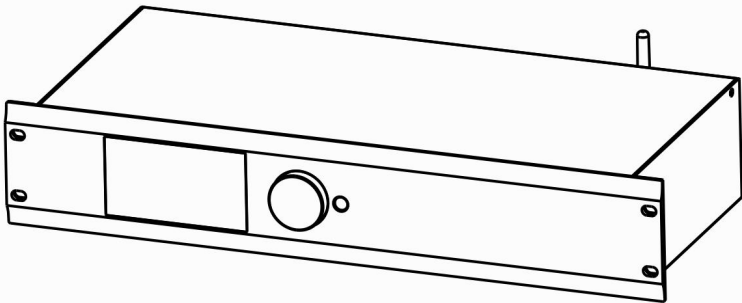




DIGITAL CONFERENCE SYSTEM CENTRAL UNIT

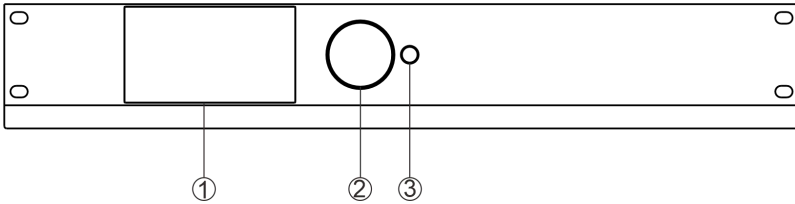
Installation Manual



Interface Description

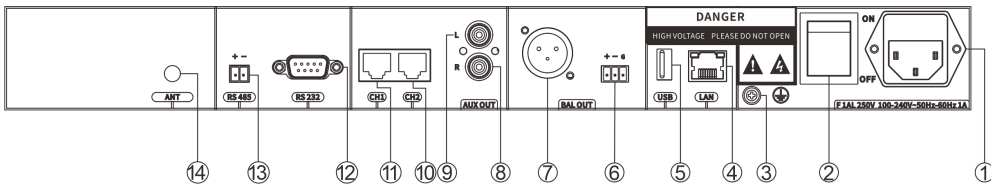
Central Unit

[Front panel]

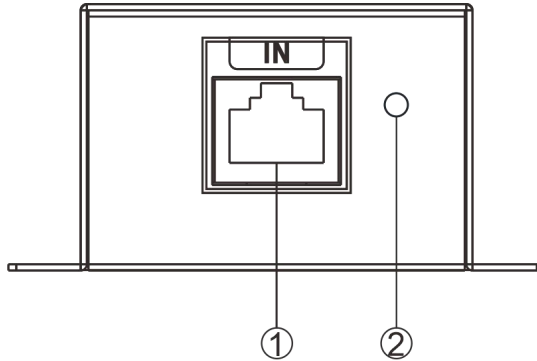


- ① LCD screen: Display central unit status information.
- ② Jog-Dial: Set the central unit status information.
- ③ Return button

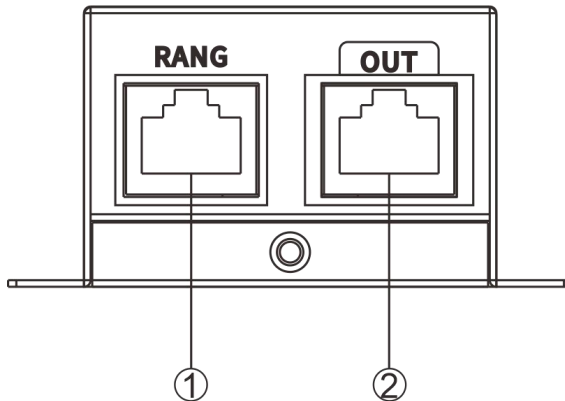
[Back panel]



- ① Power outlet: connect to 220V/50HZ mains
- ② Power switch
- ③ Ground hole: safe ground point
- ④ RJ45 network interface
- ⑤ USB interface: connect to a computer for device upgrades, or connect to external storage.
- ⑥ Phoenix Audio Balance output interface.
- ⑦ XLR audio balance output interface.
- ⑧ Stereo line right channel output interface.
- ⑨ Stereo line left channel output interface.
- ⑩ Looped network 2
- ⑪ Looped network 1
- ⑫ RS232 interface
- ⑬ RS485 interface
- ⑭ 2.4G antenna interface

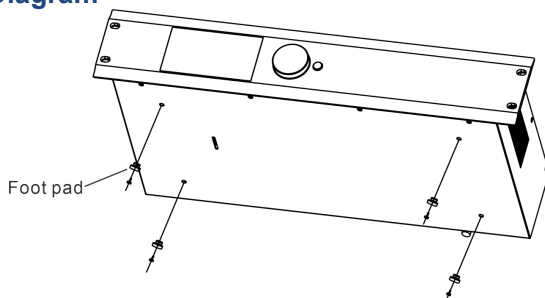
Splitter**[Front view]**

- ① IN: Connect to the Digital conference system central unit.
- ② Status light: Light up when there is an electric pass ; when there is no electric pass, or the splitter is failure, the light will go off.

[Back view]

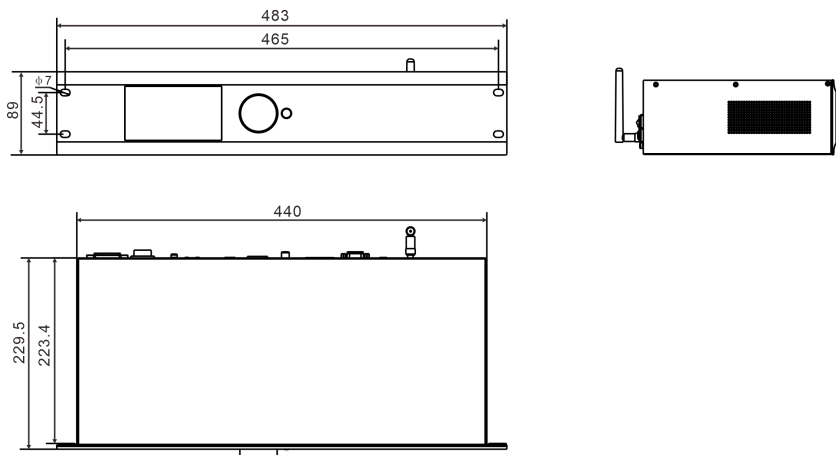
- ① RANG: Connect to the black port of the Digital conference system chairman unit.
- ② OUT : Connect to the white port of the Digital conference system chairman unit.

Installation Diagram

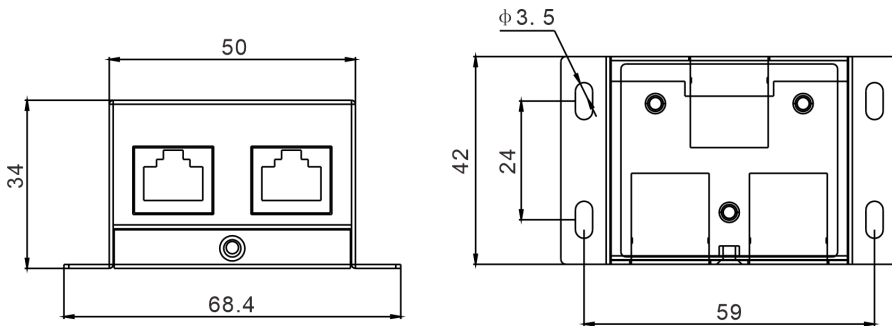


Appearance Installation Dimension Diagram (unit :mm)

Central Unit



Splitter



Specifications, Functional Components and Parameters

Power supply, power consumption	100V-240V~50HZ-60HZ 1A, ≤10W (chairman/delegate unit is not connected)
Network communication protocol	TCP/IP、UDP、ARP、ICMP、IGMP、HTTP
Network chip rate	100Mbps
Audio encoding format	MP3/PCM/ADPCM
Audio sampling, bit rate	8Khz-44.1Khz,16bit,8Kbps-320kbps
SNR(Signal to Noise Ratio), frequency response	>83dB、40Hz-18KHz
Display screen	4.3-inch touch color LCD screen
Resolution	480*272
Language	Chinese
Interface	One RJ45 network interface,one USB interface,one phoenix audio balance output interface,one XLR audio balance output interface,lotus head stereo line output interface, two looped network output interfaces,one RS232 serial port output, one RS85 communication interface.
Working temperature and working humidity	0-45℃, ≤90% (non condensing)
Dimension	483×229.5×89mm

Troubleshooting

Fault Phenomenon	Cause of fault and troubleshooting
System date back to initial value?	The battery needs to be replaced, please contact a professional to replace battery.

Packing List



Power cable 1pcs
(3*1.0mm²/1.5m)
(Optional)



Splitter 2pcs



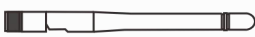
Foot pad
(FF-7)5pcs



Connection terminal
1pcs(3.5-2P)



Repeater 1pcs
(Optional)



2.4G glue stick
antenna 1pcs



Connection terminal
1pcs(3.5-3P)



Installation
manual 1pcs



Certification
1pcs



Wechat

SPON Communications Co., Ltd.
www.sponcomm.com
Service Hotline: +86-731-85570190
Reserve the amendment right without notice



V1. 2B231221