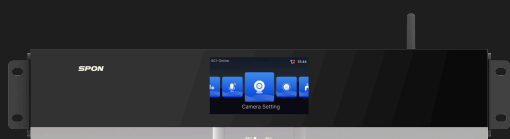


## LCN-8000

### IP Network Conference System Central Unit



The LCN-8000 is an IP network conference host supporting ring network transmission and daisy-chain cascading, with up to four independent ring networks.

It features 48kHz digital audio, <10ms transmission latency, and full compatibility with both wired and wireless terminals.

Multiple Mic  
Connection Modes

Dante

Multi-Channel  
Audio Output

4.3" Touch Screen

## MAIN FEATURES

### ▲ Advanced Network Architecture

- Four Independent Ring Networks: Supports up to four isolated network loops for flexible group configurations and large-scale conference setups.
- Reliable Redundancy: Automatic loop self-diagnosis and power-on self-check guarantee stable system operation.
- Wide Protocol Compatibility: Complies with TCP/IP, UDP, IGMP, HTTP, and DANTE for seamless system integration.

### ▲ Comprehensive Control and Accessibility

- Real-Time Web Management: Configure and monitor system parameters through an intuitive web interface accessible from PC.
- Multi-Language UI: Supports English, Chinese, Russian, Japanese, and Italian interfaces for global usability.
- Flexible Network Configuration: Manage IP settings, server connections, and Wi-Fi/BT hotspot parameters directly via touch screen or browser.

### ▲ Recording and Audio Integration

- Real-Time USB Recording: Supports up to 64GB FAT32 USB drives for high-quality AAC/PCM recording.
- Flexible Audio I/O: Equipped with balanced XLR/Phoenix outputs, RCA stereo outputs, and AUX inputs for system expansion.
- DANTE Ready: Audio-over-IP interface for professional digital sound distribution.

# SPECIFICATION

## POWER PARAMETERS

Power Supply:	AC100V-240V, 50HZ-60HZ
Standby Power Consumption:	≤10W (Without Microphones Connected)

## DISPLAY PARAMETERS

Screen:	4.3" Color Touch LCD
Resolution:	480×272

## NETWORK PARAMETERS

Network Chip Rate	100Mbps
Network Protocol:	TCP/IP, UDP, ARP, ICMP, IGMP, HTTP
Configuration Method:	Web Interface

## AUDIO I/O INTERFACES

MIX OUT (XLR):	Balanced Audio Output
MIX OUT-HCG (Phoenix):	Balanced Audio Output
AUX IN-HCG (Phoenix):	Balanced Audio Input
Stereo Line Output (L/R):	RCA Output
DANTE Interface:	1 DANTE Support
Short-Circuit Input / Output:	1× Input (SHORT/GND), 1× Output (NO/COM/NC)

## CONTROL INTERFACES

RS232 Port:	1× Serial Communication Port
RS485 Port:	1× 2-PIN Port
ANT Port:	1× 2.4G Antenna Interface

## NETWORK & MIC CONNECTION

A1-B4 Ports:	Connect Up To 4 Independent Microphone Loops
LAN Port:	RJ45 (Supports POE)
WAN Port:	RJ45 (Non-POE)

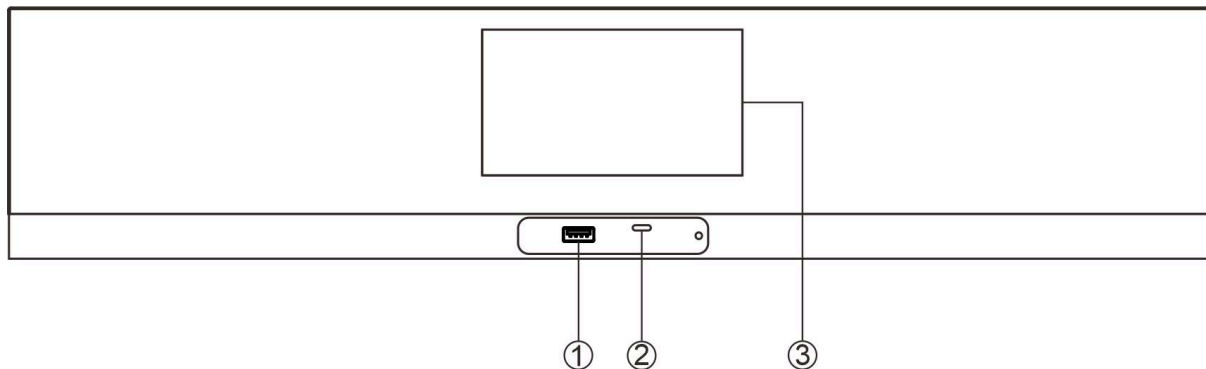
## MECHANICAL&ENVIRONMENT PROPERTIES

Mounting Method:	Rack-Mounted
Installation Environment:	Dry Indoor Locations Only
Operating Temperature:	0°C-45°C (32°F-113°F)
Operating Humidity:	≤90% RH Non-Condensing
Housing Material:	Surface-Treated Steel Plate
Color:	Black
Product Dimensions:	483×281×88mm (WxDxH)
Warranty:	2 Years

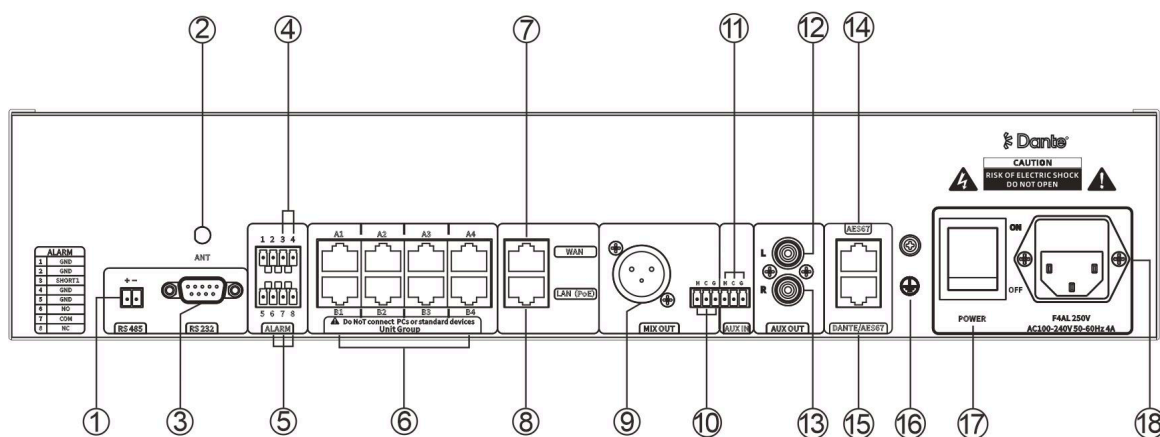
## ACCESSORIES

1×Power Cord(3*1.0mm <sup>2</sup> /1.5m) (Optional)
5×Foot Pad(FF-7)
1×Terminal(3.5-2P)
2×Terminal(3.81-4P)
1×2.4G Glue Stick Antenna
6×Phillips Screws With Washers (M4×6)
2×Rack Ears
1×Quick Installation Guide
1×Quality Certificate
1×Warranty Card

# INTERFACE DESCRIPTION

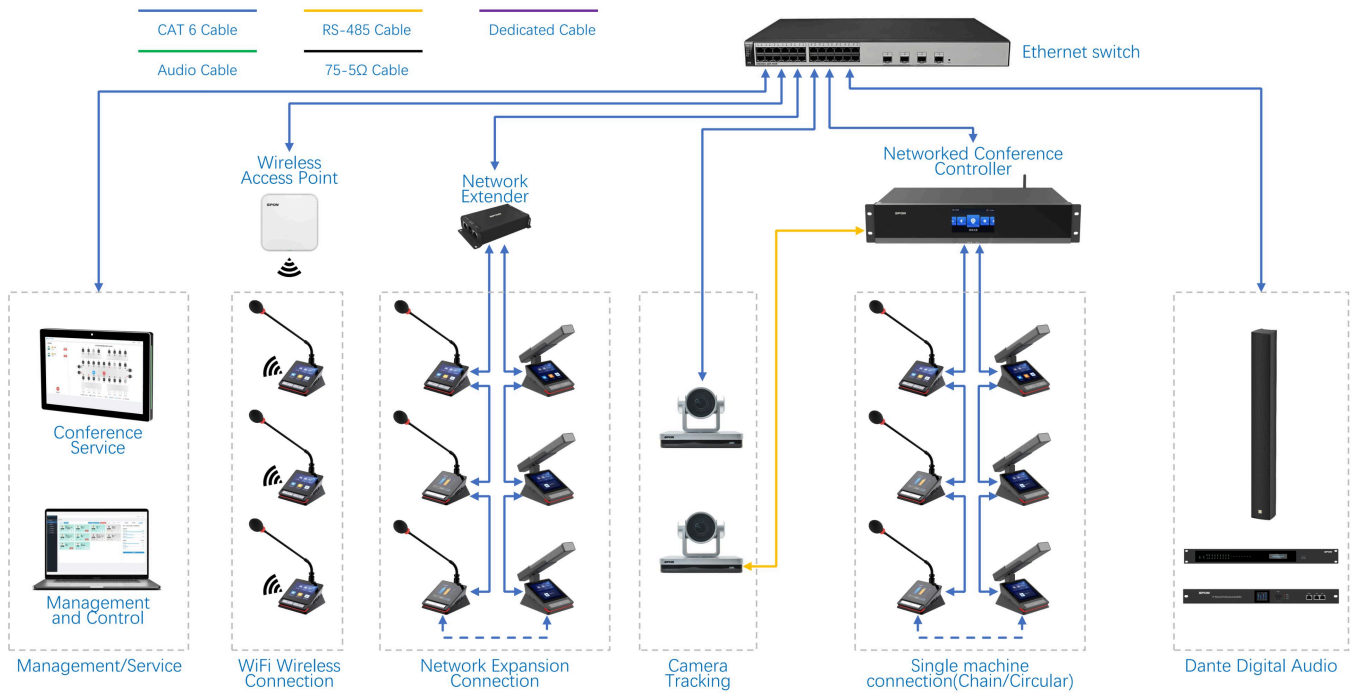


- ① USB Port: Insert a USB flash drive for meeting recording.
- ② USB Sound Card: Receives computer audio and outputs host audio.
- ③ Touch Screen: Displays system status and operation menus.



- ① RS485 Port
  - ② ANT: 2.4GHz antenna interface.
  - ③ RS232 Port
  - ④ Short-Circuit Input: 3: SHORT 1 4: GND
  - ⑤ Short-Circuit Output: 6: NO 7: COM 8: NC
  - ⑥ A1-B4: Connect to conference microphones.
  - ⑦ WAN: RJ45 network port (non-POE).
  - ⑧ LAN: RJ45 network port (supports POE).
  - ⑨ MIX OUT: Balanced audio output (XLR).
  - ⑩ MIX OUT-HCG: Balanced audio output (Phoenix).
  - ⑪ AUX IN-HCG: Balanced audio input (Phoenix).
  - ⑫ Stereo Line Output - Left (L)
  - ⑬ Stereo Line Output - Right (R)
  - ⑭ AES67 Port: Reserved.
  - ⑮ DANTE/AES67 Port
- It supports Dante® as a standard feature. AES67 is not enabled by default. It can be added as an optional extra hardware module please specify when ordering.
- ⑯ Ground Terminal: Safety grounding point.
  - ⑰ POWER: Power switch.
  - ⑱ AC Power Socket: Connect to mains supply.

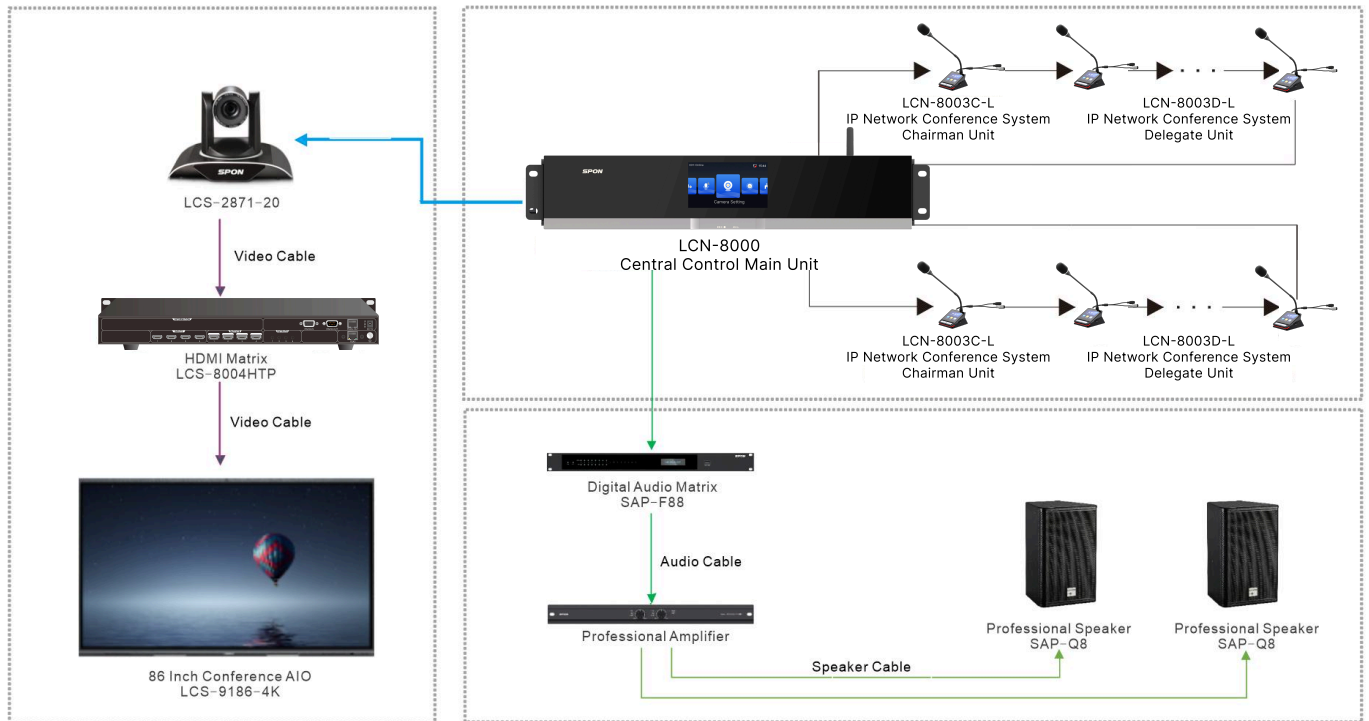
# CONNECTION DIAGRAM



# APPLICATIONS

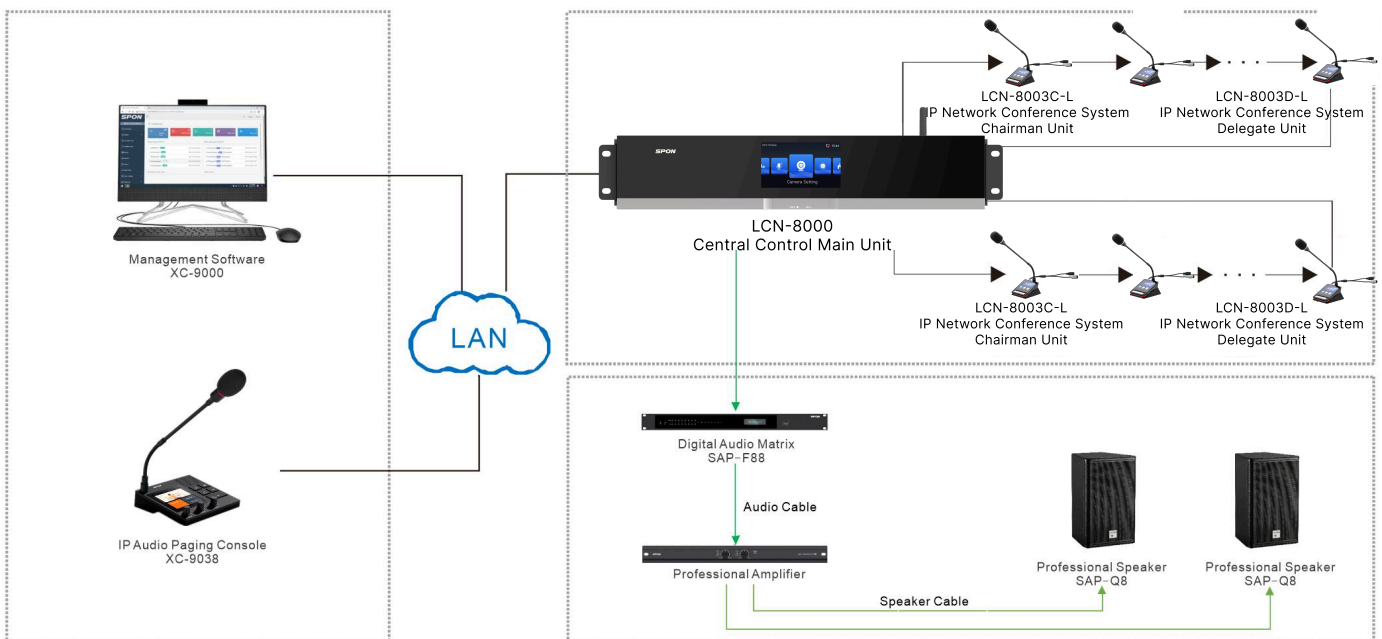
## Application 1

The Conference central unit LCN-8000 support to connect with chairman unit and delegate unit for local conference , also it provide audio output interface to realize local conference sound amplification. Meanwhile, it support to connect with HD conference camera for video tracking of conference presentation.



## Application 2

The Conference cetral unit LCN-8000 support to receive braodcast from management software or IP audio paging console , also it is support to make two-way intercom with the IP audio paging console.



# DIMENSIONAL DRAWING

