

## Overview

VLA-208SUB is a sub-woofer speaker cabinet specialized for VLA-208 line array system. It owns cuboid cabinet and build-in an 18"woofer speaker.

## Features

- \* Compact cabinet with bass reflex technology
- \* 18"high output woofer
- \* Very high SPL
- \* Build-in flying hardware
- \* Baltic birch plywood by coating waterborne anti-scratch paint
- \* Strong mortise joint technology

## Applications

VLA-208SUB is an assorted sub-woofer with compact size but high power output. It could get very close combination with VLA-208 full range cabinet. The cuboid body and precision inverted hole make the bass more strong, rich and powerful.

### Apply to:

Touring system  
Lecture hall  
Bar  
Mid/small theater and auditorium  
Music hall  
Night club, KTV  
Social club  
Church



## Description

VLA-208SUB is a flat sub-woofer speaker with bass reflex technology. By using computer to pre-calculated and analysis cabinet resonance and then improve structure to reduce related resonance. Finally the bass tone will be clean and efficiency without any resonant noise. Optimize chamber designing is also reduced more dimension. The long stroke woofer speaker combines with advanced DSP control technology to efficient control over load and distortion and bottoming noise during high power range. By recall the preset from DSP unit and simple tuning, the VLA-208SUB could be combining with VLA-208 line array system. The durable cabinet was made by Baltic birch plywood and mortise joint technology.

It offers transported handle on both side

and reserved screw holes for wheels on back side for easy moving and transportation. The coating is made by waterborne anti-scratch paint to achieve strong, reliability and environmental. VLA-208SUB can perform unbelievable 28Hz to 2KHz frequency responsible and 99 dB(1m/1W) sensitivity, 135 dB max. SPL. Therefore, it will be applying to a mid-size multipurpose venue.

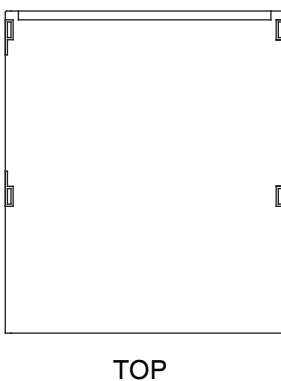
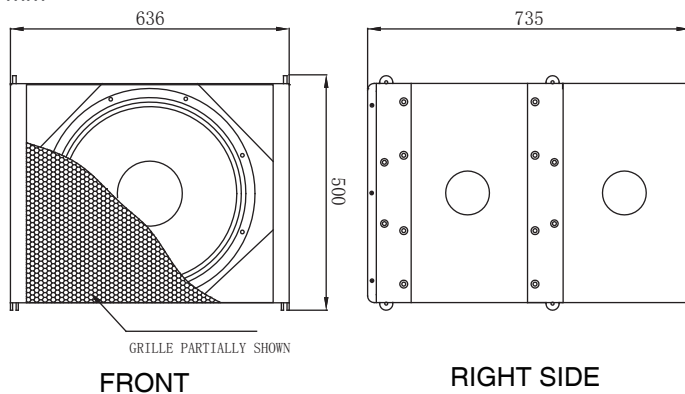
Normally VLA-208SUB could be flying or standing on floor with VLA-208 by unique "Frame" flying hardware. Therefore, it will be satisfied with several applications such as conference room, church, outdoor, theater and auditorium, night club and so on.

## Technical Specifications

Performance Parameters	
Components	1 x 18" Neodymium woofer driver
Operating Type	Sub-Woofer cabinet driven by ext. amplifier
Profile	Cuboid
Cabinet	Baltic birch plywood, tongue and groove joint
Surface	Waterborne anti-scratch paint
Connector	2 x NL4 Speakon
Flying System	VLA-208 Vertical line array system
Dimension	500mm×636mm×735mm(H×W×D)
Weight	48kg
Nominal Parameters	
Frequency Responsible	35Hz~500Hz (±3dB) 28Hz~2KHz (-10dB)
Sensitivity(1m/1W)	99dB
Nominal Impedance	8Ω
Rated Power(AES)	Continue: 1000W Program: 2000W Peak: 4000W
Maximum SPL(1m)	135dB
Nominal Coverage Angel(-6dB)	N/A

## Dimension and diagram

Unit : mm



### Input panel

